



Model 2410

Two Way, Vented Control Valve



FEATURES

- RUGGED, CAST ALUMINUM CONSTRUCTION
- TWO WAY, VENTED OPERATION
- SUITABLE FOR AIR AND MOST GASEOUS & LIQUID FUELS
- UP TO 250 PSI PILOT/OPERATING PRESSURE

APPLICATIONS

- START AIR CONTROL
- FUEL SHUTOFF
- EMERGENCY SHUT DOWN
- ON/OFF CONTROL

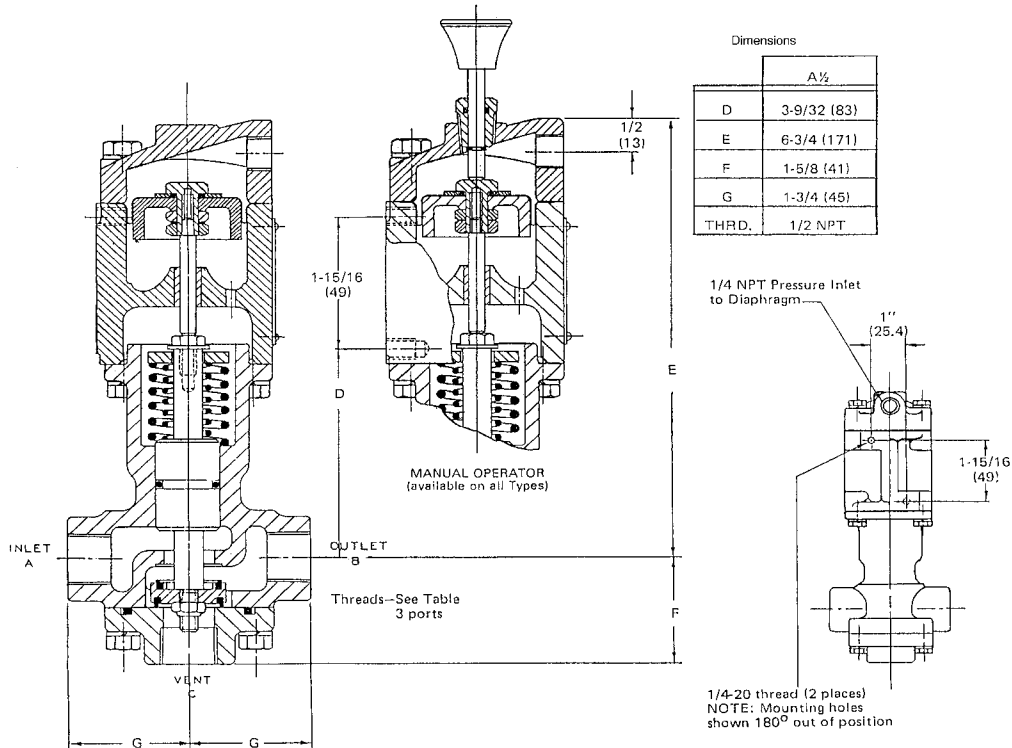
OPERATION

Model 2410 allows flow between ports A (inlet) and B (outlet) when pressure is applied to the pilot port. Once pilot pressure is lost, port A is blocked and port B opens to port C to vent off pressure downstream of the valve.

SPECIFICATIONS

Valve Body Material	Cast Aluminum
Internals	Aluminum
Seals and Diaphragm	Buna-N
Max. Operating Temperature	160°F
Diaphragm Working Pressure	
Minimum	25 psi
Maximum	250 psi
Max. Rated Inlet Port Pressure	250 psi
Flow Coefficient	$C_v = 5.3$
Net Weight	3 lbs.
Shipping Weight	4.5 lbs.

DIMENSIONS



HOW TO ORDER

When ordering, specify model number 2410E0110 (formerly model 2410-E-A1/2).

DISCONTINUED MODELS

The following 2410 models are no longer available: 2410E-A1, 2410E-B30, 2410E-C2, 2410E-D2.

SERVICE KIT

Service Kit for model 2410E0110: Part Number 9148X001

Quantity	Description	Part Number
1	Buna-N O-Ring	1168
1	Buna-N O-Ring	143
1	Buna-N O-Ring	1625
1	Buna-N Diaphragm	2254
1	Buna-N Seal	277L0014
1	Retaining Ring	294
1	Valve Disc Assembly	3553X001

Service Kits for discontinued models:

Contact your local AMOT representative.

AMOT USA
8824 Fallbrook Dr.
Houston, TX 77064
Tel: +1 281 940-1800
Fax: +1 281 668-8802

AMOT
Western Way
Bury St. Edmunds IP33 3SZ
Suffolk England
Tel: +44 1284 762222
Fax: +44 1284 760256

AMOT SINGAPORE
10 Eunos Road 8 # 12-06
Singapore Post Centre
Singapore 408600
Tel: +65 6293 4320
Fax: +65 6293 3307