



# CONTROL SYSTEMS ACCESSORIES

## General Instructions

All of the accessories shown above are for use with other AMOT safety and sequencing components in control systems. For proper application, refer to AMOT control system literature or to customer's specification drawings

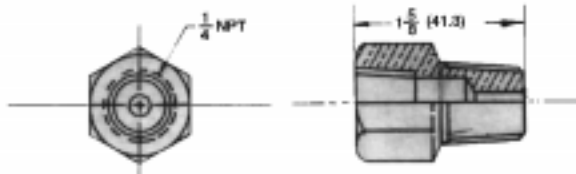
## Important

When installing accessories be sure all parts are clean, especially the small orifices. Do not allow compound or other foreign material to enter the fittings.

Consult the Amot factory if alternate sizes or special materials are required. These can usually be provided on special order.

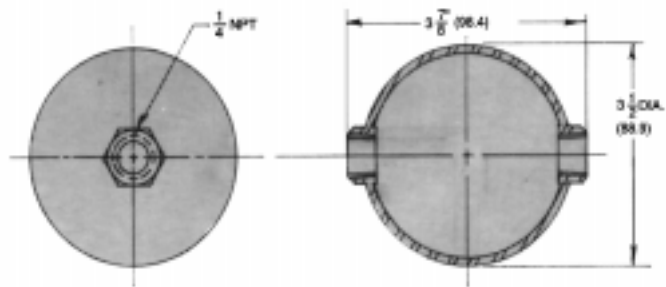
### 2185 Orifice

2185L001 .014 DIA .....	Cv = .004
2185L002 .031 DIA .....	Cv = .020
2185L003 .125 DIA .....	CV = .47
2185L004 .040 DIA .....	Cv = .030
2185L005 .062 DIA .....	Cv = .10
Material .....	3/4 brass hex.
Max. Pressure .....	300 psi
Net Weight .....	6 oz.



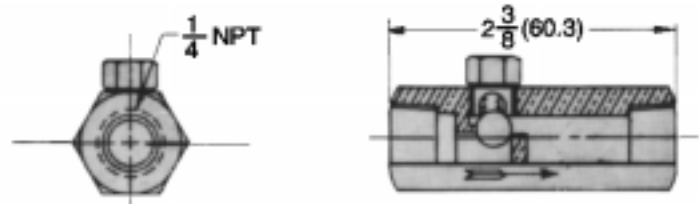
### 2690 Accumulator - 18 cu. in.

Material .....	stainless steel
Max. Pressure .....	300 psi
Net Weight .....	6 oz.



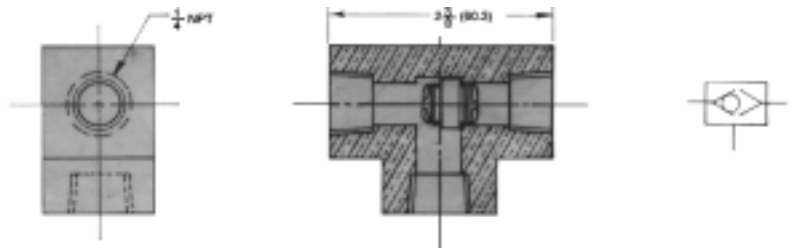
### 2760 Check Valve

Material .....	7/8 brass hex.
Max. Pressure .....	300 psi
Min. Pressure to Open .....	2 psi
Flow Coefficient .....	Cv = .3
Net Weight .....	6 oz.



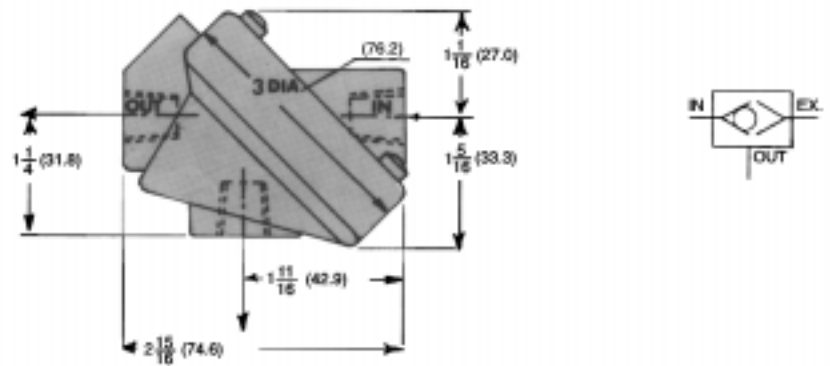
**2790B Shuttle Valve 1/4 NPT**

Material ..... brass  
 Max. Pressure ..... 150 psi  
 Pressure Differential  
 to Operate ..... 5 psi  
 Flow Coefficient ..... Cv =1.6  
 Net Weight ..... 1 lb.



**2768 Quick Release Valve**

Max. Pressure ..... 250 psi  
 Differential to Release ..... 5 psi  
 Flow Coefficient  
     In to Out ..... Cv = 2.5  
     Out to Exhaust ..... Cv = 2.0  
 All Ports ..... 3/8 NPT  
 Net Weight ..... 3/4 lb.  
 Shipping Weight ..... 1 lb.



**4125 Vent Closure For 1/4 NPT Threaded**

Body Material ..... Plastic  
 Valve Material ..... Silicon Rubber  
 Used for excluding dirt, corrosive atmospheres,  
 and insects form critical internal working parts  
 of controls.  
 (Note: This is not a "breather". It will exhaust  
 only.)



AMOT designs and tests all its products to ensure that high quality standards are met. For good product life, carefully follow AMOT's installation and maintenance instructions; failure to do so could result in damage to the equipment being protected or controlled

**AMOT USA**  
 401 First Street  
 Richmond, CA 94801  
 Tel: +1 510 236-8300  
 Fax: +1 510 234-9950

**AMOT**  
 Western Way  
 Bury St. Edmunds IP33 3SZ  
 Suffolk England  
 Tel: +44 1284 762222  
 Fax: +44 1284 760256

**AMOT SINGAPORE**  
 10 Eunos Road 8 # 12-06  
 Singapore Post Centre  
 Singapore 408600  
 Tel: +65 6293 4320  
 Fax: +65 6293 3307