

# Temperature Sensing Valve

---

Model 4155

## Typical applications

- Monitors liquid temperature in engines and other industrial plant
- Can be used as a single component or as part of a complete safety shutdown system for monitoring:
  - Jacket water
  - Lube oil
  - Bearing lube oil temperature
  - Gear box oil



**Model 4155  
Temperature Sensing Valve**

## Key benefits

- Fast response
- Easy installation
- Adjustable 16°C - 120°C (61°F - 248°F)
- Virtually no maintenance



# Temperature Sensing Valve - 4155

## Operation

The temperature sensitive element includes a push rod which rises in response to increasing temperature.

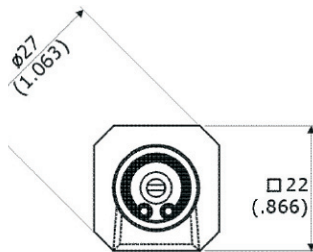
At a predetermined temperature, the valve assembly is lifted from its seating, allowing the sensing medium to vent and reduce pressure with in the control circuit.

The temperature at which the valve opens is determined by the setting of the adjusting screw.

## Specification

<b>Adjustable temp. level</b>	16°C - 120°C	61°F - 248°F
<b>Max. control pressure</b>	7 bar	100 psi
<b>Standard seals</b>	Viton	
<b>Max. element temp. range</b>	54°C - 120°C	129°F - 248°F
<b>Max. continuous temp.</b>	88°C - 128°C	190 - 262°F
<b>Net weight</b>	0.56 kg	1 1/4 lb
<b>Sensor type</b>	Wax mixture	
<b>Medium sensed</b>	Liquids	
<b>Housing material</b>	Brass	

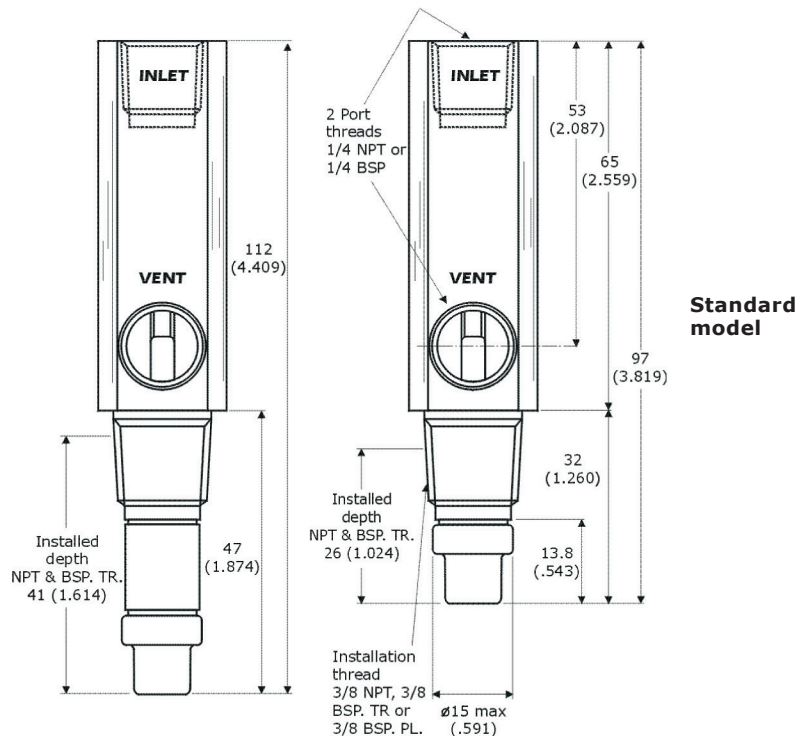
## Dimensions - 4155



### Model with extension

View showing version with extension fitted. All other dimensions as for standard model shown on right.

Dimensions mm  
(inches)



# Temperature Sensing Valve - 4155

## How to order

Use the table below to select the model code of your 4155 Temperature Sensing Valve

<b>Example Model Code</b>	<b>4155A</b>	<b>1</b>	<b>2</b>	<b>1</b>	<b>A</b>	<b>AA</b>	<b>Comments</b>	
<b>Basic model number</b>	<b>4155A</b>						Basic model number	
							<b>Installation</b>	<b>Inlet and Vent</b>
<b>Thread</b>	<b>1</b>						3/8" NPT	1/4" NPT
	<b>2</b>						3/8" BSPT	1/4" NPT
							<b>Seal Material</b>	
<b>Seal material</b>		<b>2</b>					Viton	
							<b>Stem Extension</b>	
<b>Stem extension</b>		<b>0</b>					1.030" (26 mm) installed depth	
		<b>1</b>					1.621" (41 mm) installed depth	
							<b>Temperature Range</b>	
<b>Temperature Range</b>							°C	°F
	<b>A</b>						16 - 50	61 - 122
	<b>B</b>						50.6 - 65	123 - 149
	<b>C</b>						65.6 - 82.2	150 - 180
	<b>D</b>						82.8 - 100.0	181 - 212
	<b>E</b>						100.6 - 120.0	213 - 248
							<b>Special Requirements</b>	
<b>Special Requirements</b>						<b>AA</b>	None	
						-	For special requirements contact AMOT	

## Americas

---

AMOT USA  
8824 Fallbrook Dr  
Houston, TX 77064  
USA

Tel +1 (281) 940 1800  
Fax +1 (713) 559 9419  
Email general: sales@amotusa.com  
orders: orders@amotusa.com  
customer service: cs@amotusa.com

## Asia and Australasia

---

AMOT Shanghai  
Unit 4102 - 4104, United Plaza  
1468 NanJing Road West  
Shanghai 200040  
China

Tel +86 (0) 21 6279 7700  
Fax +86 (0) 21 5237 8560  
Email shanghai@amot.com

AMOT Singapore  
10 Eunos Road 8 #12-06  
Singapore Post Centre  
Singapore 408600

Tel +65 6408 6265  
Fax +65 6293 3307  
Email singapore@amot.com

## Europe, Middle East and Africa

---

AMOT  
Western Way  
Bury St Edmunds  
Suffolk, IP33 3SZ  
United Kingdom

Tel +44 (0) 1284 762222  
Fax +44 (0) 1284 760256  
Email info@amot.com

AMOT Controls GmbH  
Rondenbarg 25  
22525 Hamburg  
Germany

Tel +49 (0) 40 8537 1298  
Fax +49 (0) 40 8537 1331  
Email germany@amot.com

AMOT Russia  
#34 Shabolovka Street  
Building 2  
Moscow 115419  
Russia

Tel +7 495 617 12 93  
Fax +7 495 913 97 65  
Email russia@amot.com