

Air Shut-off Valve

Model 4262C

Overview

The model 4262C air shut-off valve is manually cocked into the open position prior to starting the engine. To stop the engine in an emergency or in the event of engine runaway (overspeed), Model 4262C can be actuated pneumatically, hydraulically or electrically and a manual option is available.

Typical applications

Runaway/overspeed shutdown of small diesel engines powering the following equipment:

- Aerial platforms
- Air compressors
- Aircraft refuelling
- Cranes
- Diesel mowers
- Diggers
- Fork lift trucks
- Fuel tankers
- Generator sets
- Hydraulic power packs
- Jetting pumps
- Light towers
- Marine engines
- Mining machinery
- Mud pumps
- Seismic testing trucks
- Vacuum trucks
- Vehicles
- Water pumps
- Welding sets
- Wire line units



**Model 4262C
Air Shut-off Valve**

Key features and benefits

- Fast acting, solenoid operation
- Compact design for installation use
- Anodized aluminum (Gulfproofed construction)



Air Shut-off Valve - Model 4262C

Operation (manual or automatic)

Actuation of the 4262C closes the valve's disc, sealing off intake air to the engine. For automatic operation via sensing engine rpm, use AMOT Model 8210K Speed Switch in conjunction with

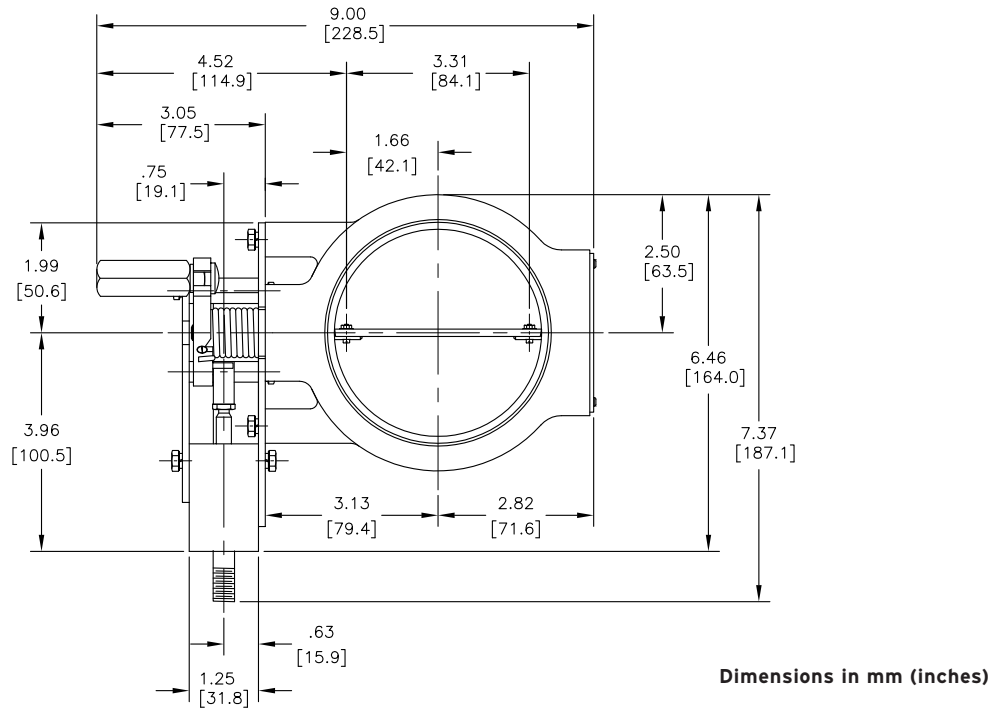
an electrically operated version, or 4110 Speed Valve for a hydraulic/pneumatic system. A manual option is also available.

Specification

| | | | |
|---------------------------------------|--|-------------------------------|--------------------|
| Standard materials | Valve body and disc | Hard anodized cast aluminum | |
| | Valve shafts | Stainless steel | |
| | Fasteners, torsion spring | Plated steel, stainless steel | |
| | Safety control operator | Anodized aluminum | |
| | Pneumatic cylinders | Aluminum and stainless steel | |
| | Brackets | Plated steel | |
| Maximum intake air temperature | Buna N (Nitrile) seals (standard) | 121°C | 200°F |
| Valve bore size | 4" and 6" valve sizes | | |
| Net weight (inc. operator) | 1.81 kg | 4.0 lbs | |
| Pneumatic cylinder | Minimum actuation pressure | 207 kPa | 30 psi |
| | Maximum working pressure | 1380 kPa | 200 psi |
| Manual operator | Mechanical pull to release | 67 N | 15 lbs |
| Electric solenoid operators | 12 VDC type | 107 W | |
| | 24 VDC type | 107 W | |
| (intermittent duty) | Maximum coil temperature | 175°C | 350°F |
| | Rated for intermittent duty, 1 minute on, 9 minutes off. | | |
| Safety control operator | Adjustable tripping pressure | 34 - 275 kPa | 5 - 40 psi falling |
| | Maximum pressure on diaphragm | 1172 kPa | 170 psi |

Air Shut-off Valve - Model 4262C

Dimensions



How to order

Use the tables below to select the unique specification of your Model 4262C Intake Air Shut-off Valve:

| Example | 4262C04A0 | 21 | Code Description |
|-------------------------|-----------|-----|--|
| | | | |
| Basic Model Code | 4262C04A0 | | 4" Model |
| | 4262C06A0 | | 6" Model |
| | | | *Contact factory before using in mobile applications |
| Valve Operator | | 21 | Pneumatic Cylinder , Pressurize to run, spring return to close, NPT threads. |
| | | 23 | Manual/Pneumatic Cylinder , Manually cocked to run, pressurize or manual trip to shut down, NPT thread. |
| | | 25 | Pneumatic Cylinder , pressurize to close, spring return to open |
| | | 41 | Safety Control , NPT thread. |
| | | 71* | Electric Solenoid , 12 VDC, manually cocked to run, energize to shut down. |
| | | 72* | Electric Solenoid , 24 VDC, manually cocked to run, energize to shut down. |

Accessories

A range of accessories can be purchased along side your 4262 valve:

Electronic Speed Switch type 8210K see datasheet 8210K

Electronic Overspeed Sensing Speed Switch

Installation Kit type 8210J see datasheet 8210KIT2

Panel/Dash Labels and Momentary Push Buttons

Rubber hoses and constant tension hose clamps

Americas

AMOT USA
8824 Fallbrook Dr
Houston, TX 77064
USA

Tel +1 (281) 940 1800
Fax +1 (713) 559 9419
Email general: sales@amotusa.com
orders: orders@amotusa.com
customer service: cs@amotusa.com

Europe, Middle East and Africa

AMOT
Western Way
Bury St Edmunds
Suffolk, IP33 3SZ
England

Tel +44 (0) 1284 762222
Fax +44 (0) 1284 760256
Email info@amot.com

AMOT Controls GmbH
Rondenbarg 25
22525 Hamburg
Germany

Tel +49 (0) 40 8537 1298
Fax +49 (0) 40 8537 1331
Email germany@amot.com

AMOT Russia
#34 Shabolovka Street
Building 2
Moscow 115419
Russia

Tel +7 495 617 12 93
Fax +7 495 913 97 65
Email russia@amot.com

Asia and Australasia

AMOT Shanghai
Rm 4102 - 4104 United Plaza
1468 Nanjing Road West
China

Tel +86 (0) 21 6279 7700
Fax +86 (0) 21 5237 8560
Email shanghai@amot.com

AMOT Singapore
10 Eunos Road 8 #12-06
Singapore Post Centre
Singapore 408600

Tel +65 6408 6265
Fax +65 6293 3307
Email singapore@amot.com