

# Electric Trip Lever Switch

Model 4395

## Overview

AMOT Model 4395 is designed for manual or mechanical tripping applications where a manual reset is desired. The unit can be mounted in any position and requires a minimal force to activate.

## Typical applications

- Replaces pneumatic model 4095
- Connecting rod bearing temperature detectors
- Broken piston rod indication
- Typically used with model 4102D

## Key features and benefits

- Gulproofed aluminum construction
- Environmentally sealed UL/CSA listed microswitch
- No adjustments required
- 1/2 NPT conduit connection or liquid tight hub



**Type 4395**  
**Electric Trip Lever Switch**

AMOT



# Electric Trip Lever Switch - Model 4395

## Operation

When a Model 4102D bearing temperature detector reaches a high enough temperature, the trip element will extend to brush the Model 4395 trip lever switch and cause a shutdown.

This device is designed to physically replace the Model 4095, when converting from pneumatic to electric/electronic controls.

## Installation Factors

### Mounting:

Model 4395 can be mounted in any position. Mounting bracket may be required for most installations.

### Wire colour codes:

Black	Common
Red	Normally Open (N.O)
White	Normally Closed (N.C)
Drain Wire	Grounded to Switch Body
All wiring should be in accordance with the governing electrical code(s).	

### Checking:

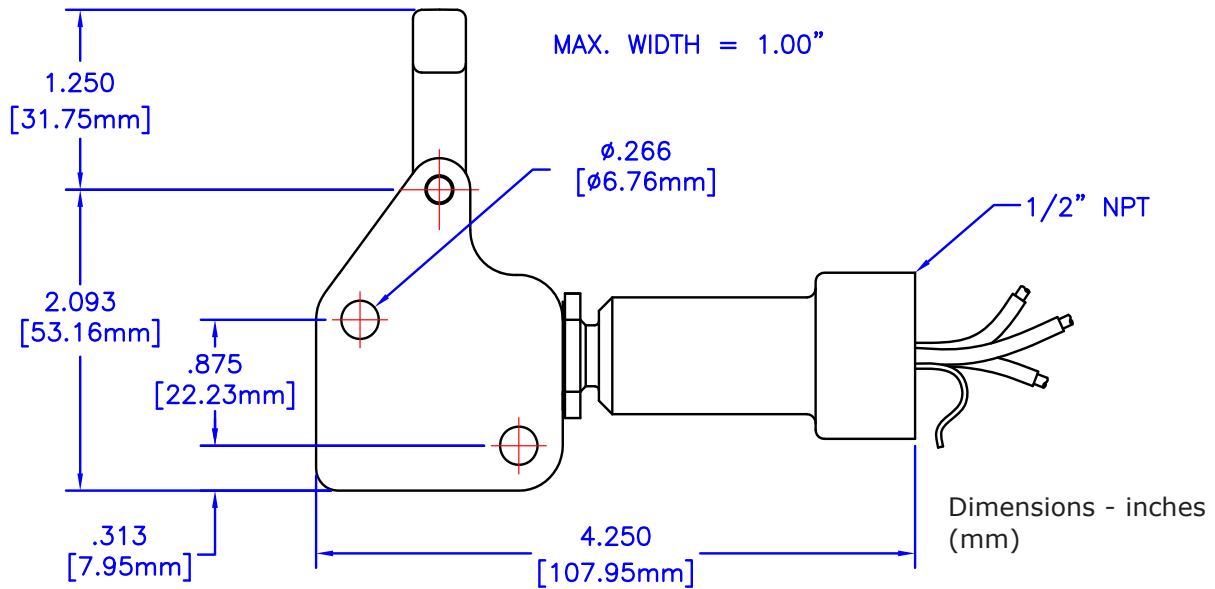
Check switch for operation by manually moving the trip lever between armed and unarmed positions while checking for continuity or alarm indication.

## Specification

<b>Model</b>	4395A	General purpose	
	4395B	Explosion proof	
<b>Body material</b>	Gulfproofed aluminum		
<b>Electrical switch body</b>	Gulfproofed aluminum		
<b>Maximum ambient temperature</b>	150°C	(300°F)	
<b>Net weight</b>	0.23 kg	(0.5 lb)	
<b>Internal microswitch</b>	Contact arrangement	SPDT	
	Design temperature	-55° to 205°C	-65°F to 400°F
	Gold contacts	1A @ 125Vac/28Vdc maximum	
	Silver contacts	7A @ 250Vac/28Vdc maximum	
<b>Switch approvals</b>	Explosion proof: CSA, Class 1, Div 1, Groups B, C & D		
	Suitable for Div 1 hazardous area installation with Intrinsically Safe Circuits (I.S.)		
<b>Connections</b>	1/2 FNPT or non-metallic hub		
<b>Wire type</b>	Shielded 3 conductor 22 gauge, Telfon sheathed, silicone rubber jacket		
<b>Wire length</b>	457 mm, 4572 mm, 7620 mm (18 inches, 15 ft, 25 ft)		

# Electric Trip Lever Switch - Model 4395

## Dimensions



## How to order

Use the table below to select the unique specification of your 4395 Electric Trip Lever Switch:

Example	4395	A	A	1	2	B	0	-AA	Comments
		.	.	.	.	.	.	.	<b>Model</b>
<b>Basic Model</b>	4395	.	.	.	.	.	.	.	Basic Model Number
		.	.	.	.	.	.	.	<b>Type</b>
<b>Model Type</b>		A	.	.	.	.	.	.	General Purpose
		B	.	.	.	.	.	.	Explosion Proof
		.	.	.	.	.	.	.	<b>Revision Level</b>
<b>Revision Level</b>		A	.	.	.	.	.	.	Current Revision
		.	.	.	.	.	.	.	<b>Strike Lever Width</b>
<b>Strike Lever</b>				0	.	.	.	.	Standard Width
				1	.	.	.	.	Extended Width
		.	.	.	.	.	.	.	<b>Switch Contact</b>
<b>Switch Contacts</b>					1	.	.	.	Gold
					2	.	.	.	Silver
		.	.	.	.	.	.	.	<b>Connection &amp; Wire Length</b>
<b>Electrical Connection &amp; Wire Length</b>					A	.	.	.	1/2" FNPT, 18 inch (46 cm)
					B	.	.	.	1/2" FNPT, 15 ft (4.6 m)
					C	.	.	.	1/2" FNPT, 25 ft (7.6 m)
					D	.	.	.	Non Metallic Hub*, 18 inch (46 cm)
					E	.	.	.	Non Metallic Hub*, 15 ft (4.6 m)
					F	.	.	.	Non Metallic Hub*, 25 ft (7.6 m)
		.	.	.	.	.	.	.	<b>Wire Type</b>
<b>Wire Type</b>							0	.	Shielded 4 Conductor 20 Guage, Teflon Insulation and Jacket
		.	.	.	.	.	.	.	<b>Special Requirements</b>
<b>Special Requirements</b>								-AA	Standard
								-**	Made to Order

## Americas

---

AMOT USA  
8824 Fallbrook Dr  
Houston  
TX 77064  
USA

Tel: +1 (281) 940 1800  
Fax +1 (713) 559 9419  
Email sales@amotusa.com

## Asia and Australasia

---

AMOT Shanghai  
Rm 4102 - 4104 United Plaza  
1468 Nanjing Road West  
Shanghai 200040  
China

Tel +86 (0) 21 6279 7700  
Fax +86 (0) 21 5237 8560  
Email shanghai@amot.com

AMOT Singapore  
10 Eunos Road 8 #12-06  
Singapore Post Centre  
Singapore 408600

Tel +65 6408 6265  
Fax +65 6293 3307  
Email singapore@amot.com

## Europe and Africa

---

AMOT  
Western Way  
Bury St Edmunds  
Suffolk, IP33 3SZ  
England

Tel +44 (0) 1284 762222  
Fax +44 (0) 1284 760256  
Email info@amot.com

AMOT Controls GmbH  
Rondenbarg 25  
22525 Hamburg  
Germany

Tel +49 (0) 40 8537 1298  
Fax +49 (0) 40 8537 1331  
Email germany@amot.com

AMOT Russia  
#34 Shabolovka Street  
Building 2  
Moscow 115419  
Russia

Tel: +7 495 617 12 93  
Fax: +7 495 913 97 65