

# Flow Switch

## Model 8026

### Overview

The 8026 Flow Switch can be used for the protection of machinery, pumps and processes against liquid loss by sensing and switching on 'flow' or 'non-flow' operation.

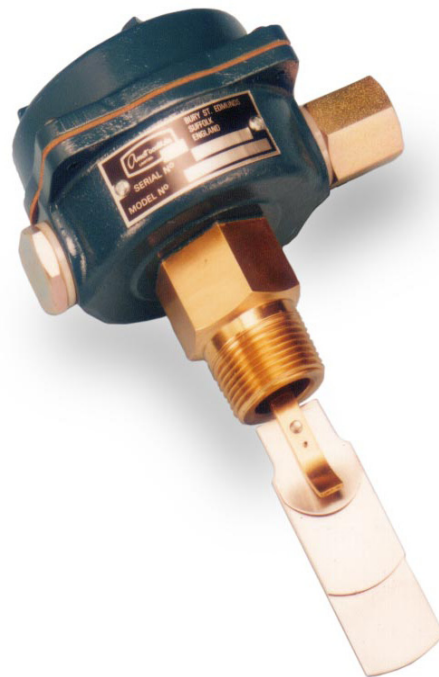
This robustly constructed paddle switch has an adjustable setpoint to provide alarm or shutdown functions via microswitch contacts and can be easily set at installation to satisfy flow conditions.

### Typical Applications

- Suitable for the protection of machinery, pumps and processes against loss of liquid
- Can be installed in horizontal or vertical pipelines from 25mm to 100mm (1" to 4")

### Key benefits

- Simple, low cost installation - easy to use, adjustable alarm/shutdown setpoint
- Flexible in application - weatherproof to IP55
- Flow or no-flow monitoring



**Model 8026**

## Operation

The 8026 flow switch protects against liquid loss by sensing and switching on Flow or No-Flow operation.

## Construction

The microswitch and linkage mechanism are contained in a cast aluminium housing, with a removable lid for access to terminal wiring and setpoint adjustment.

Protection level is to IP55 (dust and water resistant). All wetted parts are constructed in

stainless steel, brass and phosphor bronze.

Standard finish is blue stove enamel paint and 'Gulfproofed' protection (anodize and epoxy resin paint finish) is available where required.

## Specification

**Installation:** by 1" NPT or BSP Tr male thread

**Net weight:** 1 kg 2.25 lb

**Pipeline conditions:** Suitable for diameters of: 25mm to 100mm (1" to 4")

Max. temperature in pipe: 120°C (250°F)

Max. pressure in pipe: 9.0 bar (130 psi)

Max. liquid velocity: 7.6 m/sec (25 ft/sec)

**Electrical data:** Single pole changeover contact type microswitch

Rating: 15 amps at 480 volt AC

0.5 amps at 125 volt DC

0.25 amps at 250 volt DC

Conduit entry thread: M20 x 1.5mm (alternatives are available by use of an adaptor)

## Paddle blade

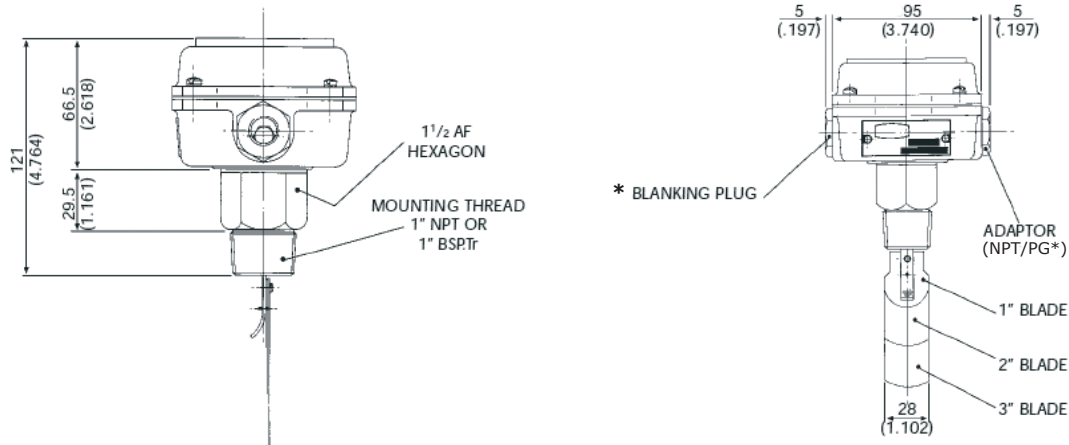
Pipe size mm (inches)	Blade section and dimensions
25 (1)	Small blade only
38.1 (1 1/2)	Small blade and medium blade trimmed to L = 47.5mm / R = 19mm
50.8 (2)	Small and medium blades
63.5 (2 1/2)	All three blades with large blade trimmed to L = 72.5mm / R = 32mm
76.2 (3) and above	All three blades

## Flow rate data

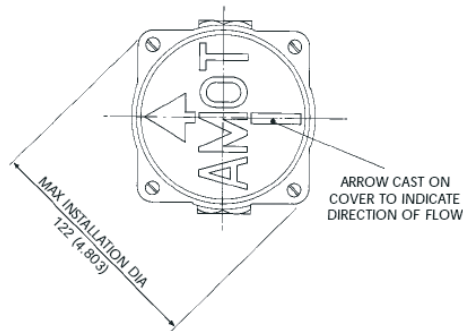
Flow rate data litres/min (USGPM)			
		25mm pipe	75mm pipe
Minimum setting	Increasing	18.2 (4.8)	79.5 (21)
	Decreasing	2.3 (0.6)	40.9 (10.8)
Maximum setting	Increasing	36.4 (9.6)	127.0 (33.6)
	Decreasing	29.5 (7.81)	114.0 (30.0)

# Flow Switch - 8026

## Dimensions



Dimension in mm (inches)



\* Interchangeable to suit application

## How to order

Use the tables below to select the unique specification of your 8026 flow switch.

Please select one characteristic from each section. Each characteristic is associated with a code that you will need to state when ordering.

Installation thread and finish	Code	✓
1" NPT Standard	1	
1" BSPT <sub>r</sub> Standard	2	
1" NPT Gulfproofed	3	
1" BSPT <sub>r</sub> Gulfproofed	4	

Liquid contact / material	Code	✓
Freshwater, lubricating oil (brass body)	1	
Salt water (phosphor bronze body)	2	

Conduit thread entry	Code	✓
1" NPT	A	
M20 x 1.5mm	B	
PG13.5	C	
PG11	D	
PG9	E	

Special requirements	Code	✓
Standard	AA	

## Americas

---

AMOT USA  
8824 Fallbrook Dr  
Houston, TX 77064  
USA

Tel +1 (281) 940 1800  
Fax +1 (713) 559 9419  
Email general: sales@amotusa.com  
orders: orders@amotusa.com  
customer service: cs@amotusa.com

## Europe, Middle East and Africa

---

AMOT  
Western Way  
Bury St Edmunds  
Suffolk, IP33 3SZ  
England

Tel +44 (0) 1284 762222  
Fax +44 (0) 1284 760256  
Email info@amot.com

AMOT Controls GmbH  
Rondenbarg 25  
22525 Hamburg  
Germany

Tel +49 (0) 40 8537 1298  
Fax +49 (0) 40 8537 1331  
Email germany@amot.com

AMOT Russia  
#34 Shabolovka Street  
Building 2  
Moscow 115419  
Russia

Tel +7 495 617 12 93  
Fax +7 495 913 97 65  
Email russia@amot.com

## Asia and Australasia

---

AMOT Shanghai  
Rm 308, Building No A8  
Jiahua Business Center  
808 Hongqiao Road  
Shanghai 200030  
China

Tel +86 (0) 21 6447 9708  
Fax +86 (0) 21 6447 9718  
Email shanghai@amot.com

AMOT Singapore  
10 Eunost Road 8 #12-06  
Singapore Post Centre  
Singapore 408600

Tel +65 6408 6265  
Fax +65 6293 3307  
Email singapore@amot.com