

Overview

The EH is AMOT's flagship actuator, built for extreme temperatures and high vibration applications. It is fully customizable for integration into virtually any system.

Typical Applications

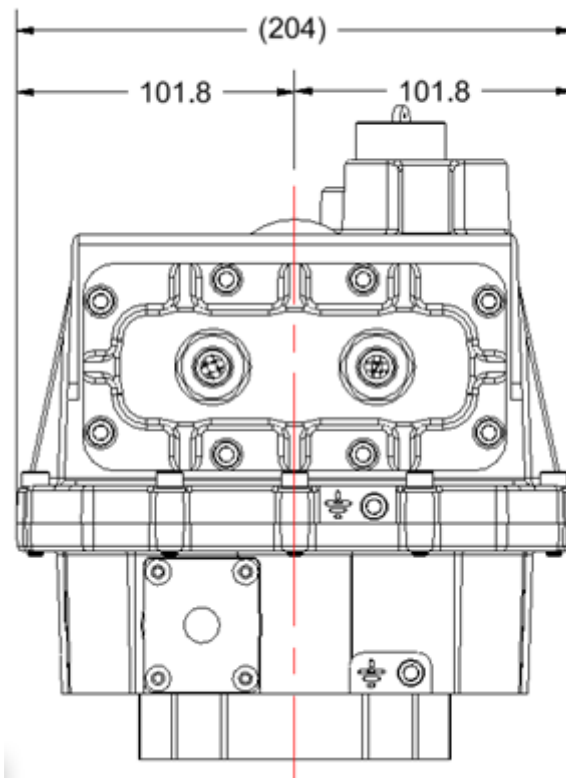
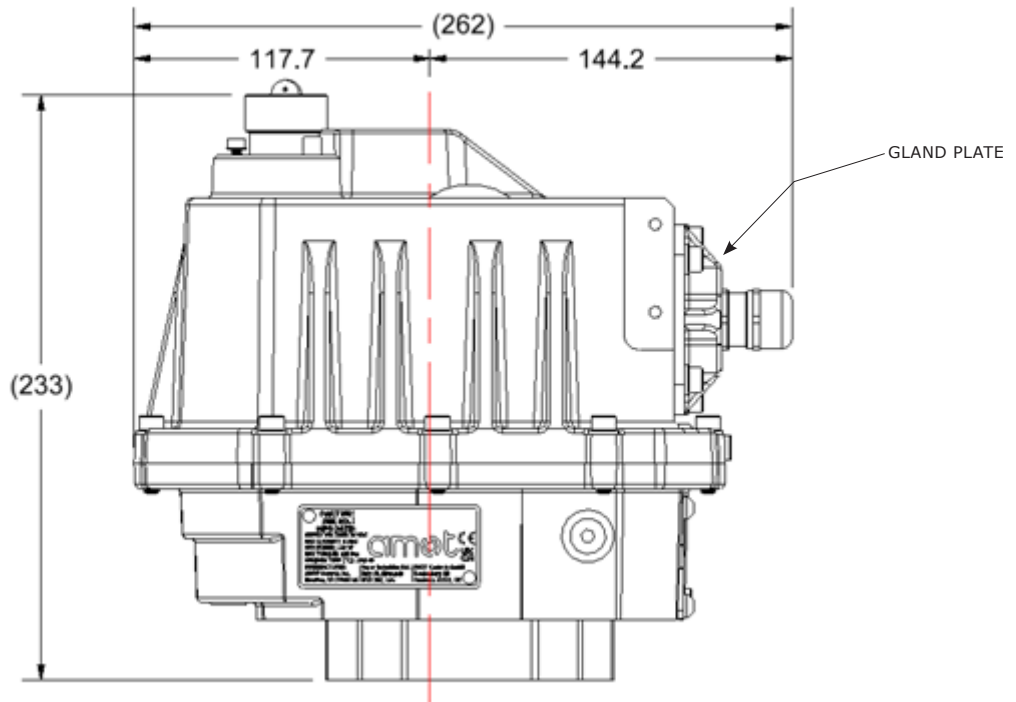
- On-Engine
- Industrial QT Valves
- Locomotives
- Oil & Gas Equipment
- Process Control
- Naval Vessels
- Hydrogen Fuel Cells

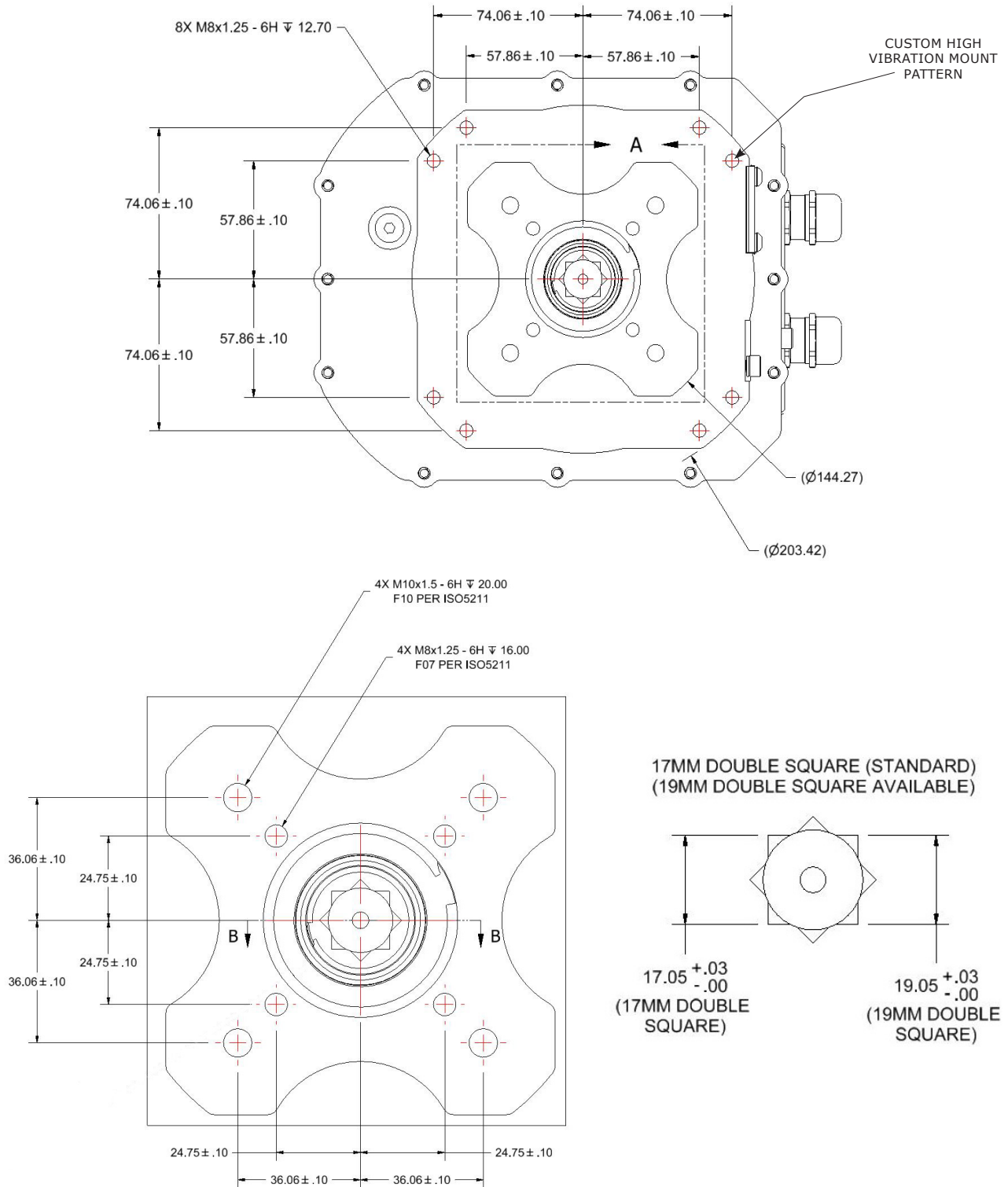


Model EH125

Features and Benefits

- High vibration and shock resistance
- -40°C to +100°C operating temperature range
- CE/UKCA certified
- Manual override
- Configurable analog and digital IO options
- SAE J1939 CAN capable
- High speed, configurable quarter turn time, minimum 6s
- 24VDC operation
- 125 Nm (92.2 ft-lb)
- IP67, IP69K
- LED Indicator





Specifications

EH Series

Power	24V DC, 5A Max	
Ambient Temperature	-40°C to 100°C	-40°F to 212°F
Duty Cycle	100% @ maximum rated load and maximum temperature	
Vibration Resistance	14.1 GRMS, 10-1000 Hz, 20 hours/axis	
Mechanical Shock	MIL-STD-810G, 516.6 Shock, 40G	
Life	Tested to +1M cycles @ rated load	
Motor Thermal Protection	Fitted as standard	
Angular Rotation	90° standard	
Mounting	ISO5211 F07 & F10 patterns, High vibration mount pattern Mounted in any orientation	
Mass	11.0 kg	
Position Sensor	Hall Effect + visual indicator	
Cable Entry	2 X M20 1.5 Standard M12, M16, M25 also available	
I/O	0-10 V, 4-20 mA, PWM, J1939 CAN Software configurable (2 analog/digital inputs, 2 analog outputs, 4 digital outputs)	
Safety	CE/UKCA Certified	
Mechanical Stop	Internal, non-adjustable	
Manual Override	Fitted as standard	
Materials	Steel, aluminium alloy, polycarbonate	
External Coating	Anodized aluminum	
Weatherproof Enclosure	IP 67, IP 69K	

Performance

Actuator	Duty Cycle	Stroke Time (Seconds)	Accuracy (deg)	Power
EH125	100%	6s	0.5	24 VDC

Example code	EH	125	A	A	1	B	B	A	A	Code description	
										Actuator type	
Actuator type	EH									Electric	
										Size	
Size		125								125Nm (1,106 in-lb)	
										Rotation travel	
Rotation travel			A							90 Degrees	
										Failure state on signal loss	
Failure state on signal loss			A							Fail-in-Place	
			B							Turn Counter Clockwise	
			C							Turn Clockwise	
										Supply voltage	
Supply voltage					1					24VDC	
										Control signal	
Control signal						B				4-20 mA (TURN CW)	
						C				4-20 mA (TURN CCW)	
						K				0-10 VDC (TURN CW)	
						L				0-10 VDC (TURN CCW)	
						M				0-1000 CAN J1939 (TURN CW)	
						N				0-1000 CAN J1939 (TURN CCW)	
						R				0-100 PWM (TURN CW)	
						S				0-100 PWM (TURN CCW)	
										Feedback signal	
Feedback signal						B				4-20 mA (TURN CW)	
						C				4-20 mA (TURN CCW)	
						K				0-10 VDC (TURN CW)	
						L				0-10 VDC (TURN CCW)	
						M				0-1000 CAN J1939 (TURN CW)	
						N				0-1000 CAN J1939 (TURN CCW)	
						R				0-100 PWM (TURN CW)	
						S				0-100 PWM (TURN CCW)	
										Wiring connection	
Wiring connection										Left Position	Right Position
						A				M20 Cable Gland	M20 Cable Gland
						B				M16 Cable Gland	M16 Cable Gland
						C				M25 Cable Gland	M25 Cable Gland
						D				M20 Cable Gland	M16 Cable Gland
						E				M25 Cable Gland	M20 Cable Gland
						F				M25 Cable Gland	M16 Cable Gland
									* Note: Other cable gland connections available		
										Output Drive	
Output Drive					**	A				17mm Double Square (Standard option)	
						B				19mm Double Square	

* Standard for: 4-20mA, 20-4mA, 0-10VDC, 10-0VDC

** Standard for: 0-1000 CAN J1939, 1000-0 CAN J1939, 0-100 PWM, 100-0 PWM

Americas

AMOT - USA

8824 Fallbrook Dr
Houston, TX 77064
USA

Tel: +1 (281) 940 1800
Fax: +1 (713) 559 9419
Email: sales.houston@amot.com

AMOT - CANADA

4320 Roper Rd NW
Edmonton, Alberta T6B 3T8
Canada

Tel: +1 (780) 465 4429
Fax: +1 (780) 469 6275
Email: sales.houston@amot.com

Asia Pacific

AMOT - CHINA

Bd. 7A, No. 568, Longpan Rd.
Malu Jiading, Shanghai 201801
China

Tel: +86 (0) 21 5910 4052
Fax: +86 (0) 21 5237 8560
Email: shanghai@amot.com

Europe, Middle East, Africa

AMOT - EMEA

Western Way
Bury St Edmunds
Suffolk IP33 3SZ

Tel: +44 (0) 1284 762222
Fax: +44 (0) 1284 760256
Email: sales@amot.com

www.amot.com