

Overview

The compact version of AMOT's flagship actuator, built for extreme temperatures and high vibration applications. It's small size is ideal for OEM implementations.

Typical Applications

- Naval Vessels
- Locomotives
- Hydrogen Fuel Cells
- Oil & Gas Equipment
- Process Control
- On-Engine
- Industrial QT Valves

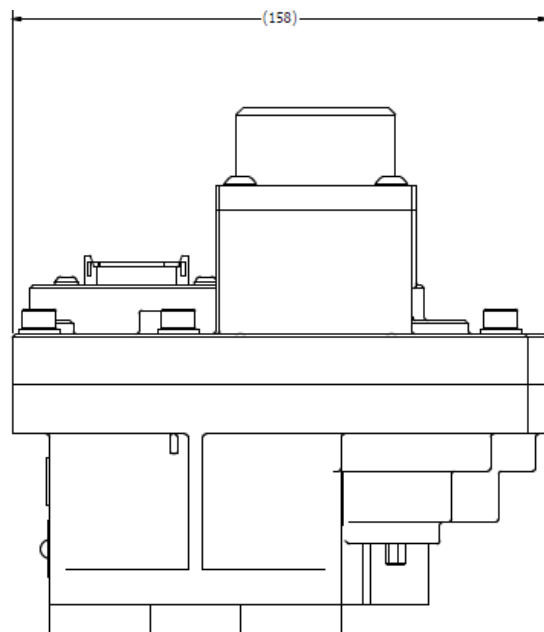
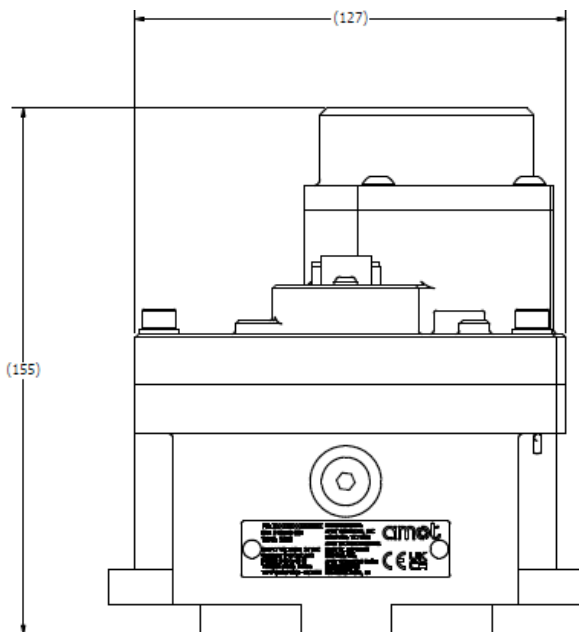
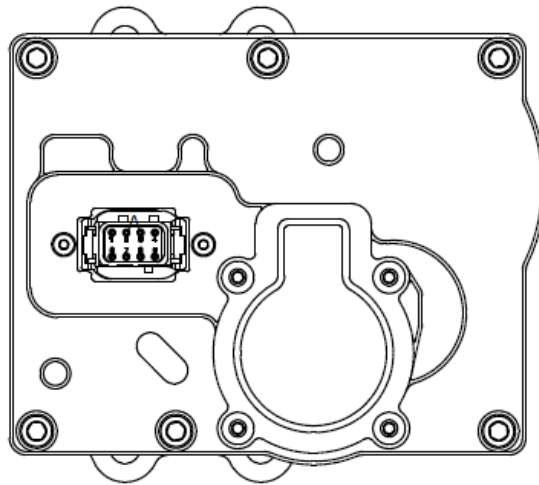


Model EHC25

Features and Benefits

- High vibration and shock resistance
- -40C to +125C operating temperature range
- CE/UKCA Certified
- Manual override available
- Configurable analog IO options
- SAE J1939 CAN capable
- High speed, configurable quarter turn time
- 24VDC operation
- 25 Nm
- IP67, IP69K

EHC25



Specifications

EHC Series

Power	24V DC, 5A Max	
Ambient Temperature	-40°C to 125°C	-40°F to 257°F
Duty Cycle	100% @ maximum rated load and maximum temperature	
Vibration Resistance	Random: 14.1 GRMS, 10-1000 Hz, 20 hours/axis	
Mechanical Shock	MIL-STD-810G, 516.6 Shock, 40G	
Life	Tested to +1M cycles @ rated load	
Limit Switches	Software configurable	
Motor Thermal Protection	Fitted as standard	
Angular Rotation	90° standard	
Mounting	ISO5211 F07 pattern, High vibration mount pattern Mounted in any orientation	
Mass	4.0 kg	
Position Sensor	Hall Effect	
Cable Entry	8 pin bulkhead connector	
I/O	0-10 V, 4-20 mA, PWM, J1939 CAN Software configurable (1 analog/digital input, 1 analog output)	
Safety	CE/UKCA Certified	
Mechanical Stop	Internal, non-adjustable	
Manual Override	Standard	
Materials	Aluminium alloy, stainless steel	
External Coating	Anodized aluminum	
Weatherproof Enclosure	IP 67, IP 69K	

Performance

Actuator	Duty Cycle	Stroke time (seconds)	Accuracy (deg)	Power
EHC25	100%	4s	0.5	24 VDC

Example code	EHC	25	A	A	1	B	B	2	A	Code description
										Actuator type
Actuator type	EHC									Electric
										Size
Size		25								25Nm
										Rotation travel
Rotation travel			A							90 Degrees
										Failure state on signal loss
			A							Fail-in-Place
Failure state on signal loss			B							Turn Counter Clockwise
			C							Turn Clockwise
										Supply voltage
Supply voltage					1					24VDC
										Control signal
						B				4-20 mA (TURN CW)
						C				4-20 mA (TURN CCW)
Control signal						K				0-10 VDC (TURN CW)
						L				0-10 VDC (TURN CCW)
						M				0-1000 CAN J1939 (TURN CW)
						N				0-1000 CAN J1939 (TURN CCW)
						R				0-100 PWM (TURN CW)
						S				0-100 PWM (TURN CCW)
										Feedback signal
						B				4-20 mA (TURN CW)
Feedback signal						C				4-20 mA (TURN CCW)
						K				0-10 VDC (TURN CW)
						L				0-10 VDC (TURN CCW)
						M				0-1000 CAN J1939 (TURN CW)
						N				0-1000 CAN J1939 (TURN CCW)
						R				0-100 PWM (TURN CW)
						S				0-100 PWM (TURN CCW)
										Temperature
Temperature								2		-40°C to 125°C
										Wiring Connection
Wiring Connection									A	* 8 Pin bulkhead connector

* Standard option



Americas

AMOT - USA

8824 Fallbrook Dr
Houston, TX 77064
USA

Tel: +1 (281) 940 1800

Fax: +1 (713) 559 9419

Email: sales.houston@amot.com

AMOT - CANADA

4320 Roper Rd NW
Edmonton, Alberta T6B 3T8
Canada

Tel: +1 (780) 465 4429

Fax: +1 (780) 469 6275

Email: sales.houston@amot.com

Asia Pacific

AMOT - CHINA

Bd. 7A, No. 568, Longpan Rd.
Malu Jiading, Shanghai 201801
China

Tel: +86 (0) 21 5910 4052

Fax: +86 (0) 21 5237 8560

Email: shanghai@amot.com

Europe, Middle East, Africa

AMOT - EMEA

Western Way
Bury St Edmunds
Suffolk IP33 3SZ

Tel: +44 (0) 1284 762222

Fax: +44 (0) 1284 760256

Email: sales@amot.com

www.amot.com