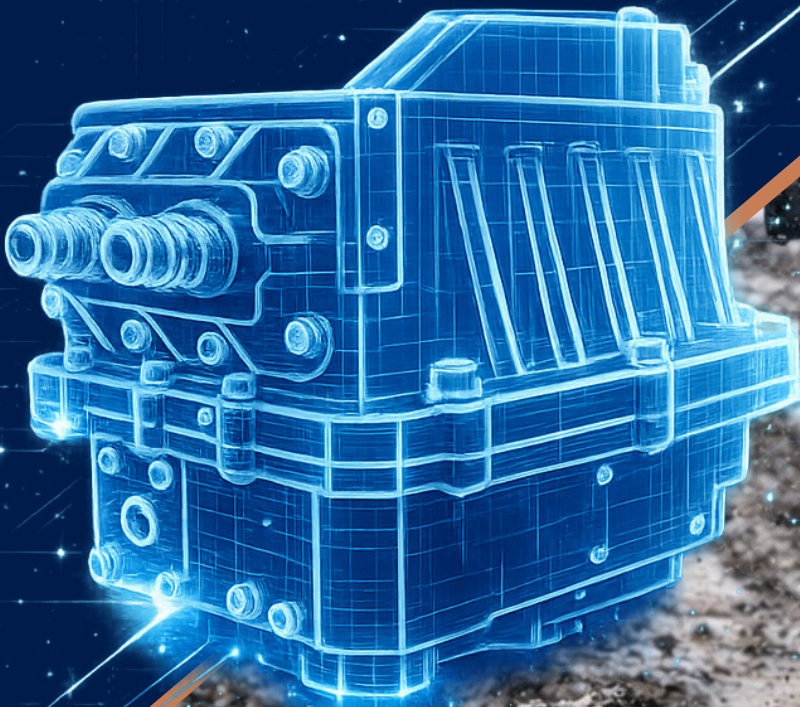


amot

WHEN RELIABILITY CANNOT BE COMPROMISED.

EH Series 24VDC Electric Rotary Actuator



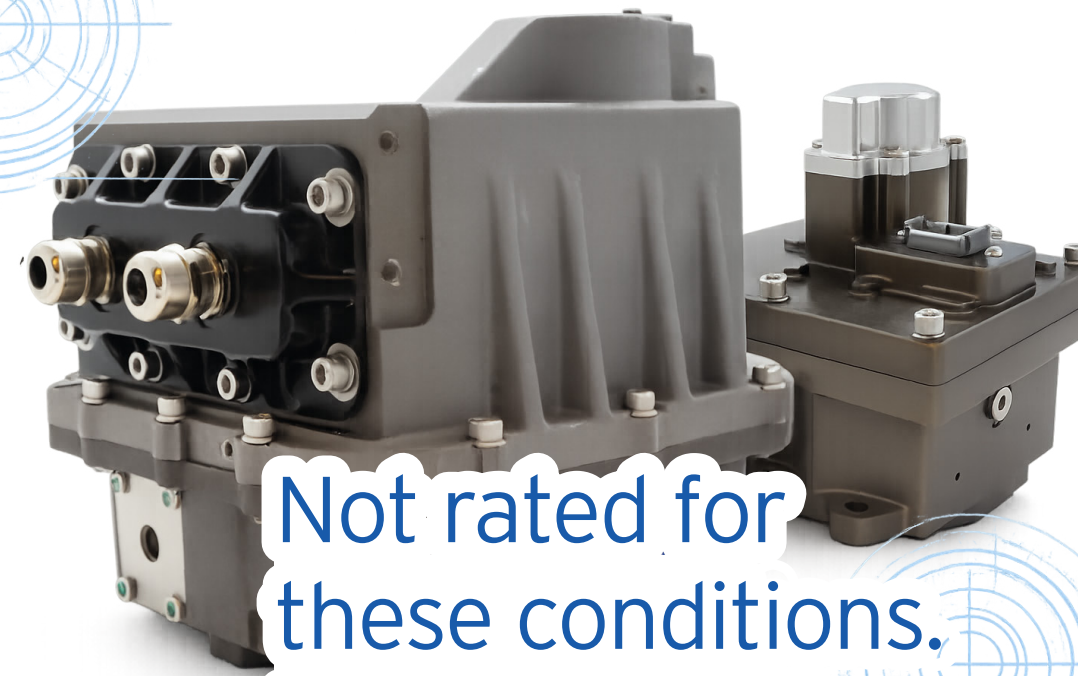
ENGINEERED FOR THE UNFORGIVING.

For years, there wasn't a good answer for this environment.

Most actuators start as generic products and pick up environmental ratings along the way. Ours didn't start that way.

AMOT builds valves for some of the most demanding environments on the planet. When we went to source actuators to put on our own products, we couldn't find anything that could keep up. So we built one from the ground up, not as an afterthought, and not adapted from something else. Designed from day one to survive the conditions our customers actually run in.

That's the difference between rated for it and built for it.



Not rated for these conditions.
Built for them.

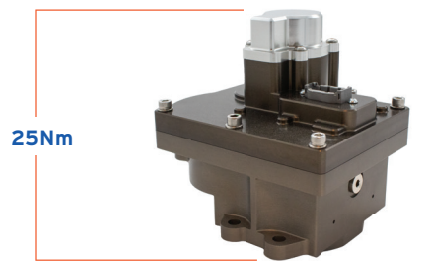
Pick your torque.
One Number. Two Options.

**Same performance. Same sealing.
Same controls. Same durability.**

The EH Series delivers identical operating ratings, vibration resistance, and duty cycle across both models. Simply choose the torque your application requires.



125Nm



25Nm

Every number below is a result, not a claim. These are the specifications we designed around because our customers run in them — not limits we discovered later. Your torque requirement determines your model, everything else is identical across the family.

Features	EH Series
Operating Temp	-40°C to 125°C
Duty Cycle	100% @ maximum rated load and maximum temperature
Vibration	14.1 GRMS, 10-1000 Hz, 20 hours/axis
Shock	MIL-STD-810G, 516.6 Shock, 40G
Endurance	1,000,000+ cycles at rated load



EXTREME TEMPS

VIBRATION & SHOCK

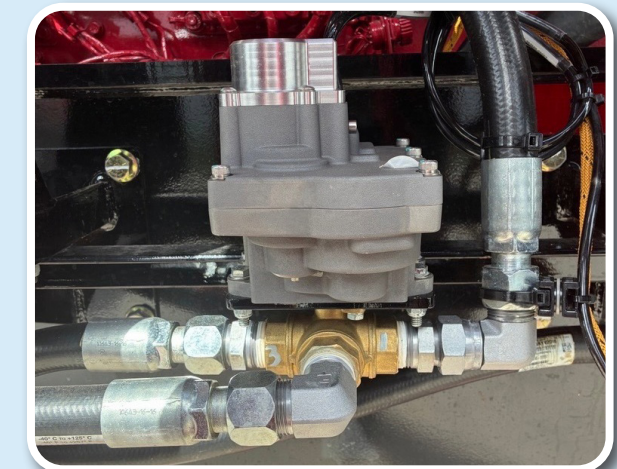
WASHDOWN & FLUID INGRESS

QUICK CLOSE

THE EH SERIES WAS BUILT WITH COST IN MIND.

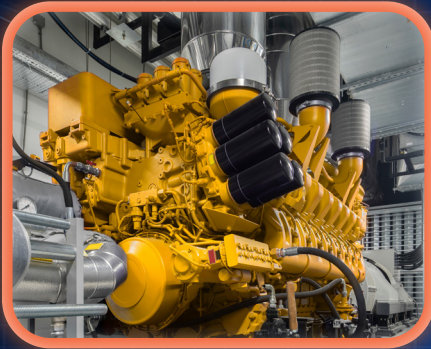
These aren't edge cases — they're the operating conditions on equipment that doesn't stop running. And in those conditions, every weakness in a component eventually shows itself.

What the purchase price doesn't show is what failure actually costs. Replacement cycles, unplanned downtime, and maintenance labor. Those are the numbers that matter. An actuator that fails at the wrong moment carries costs that extend well beyond the purchase. In these environments, reliability is the real measure of value.



amot

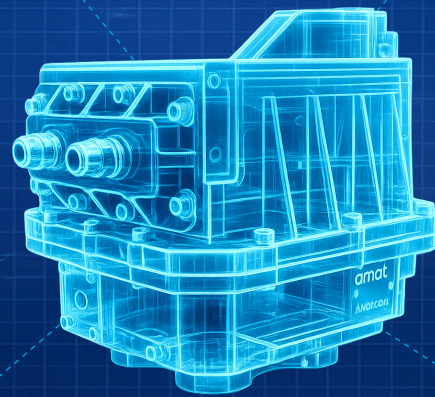
PROVEN IN



ENGINES



NAVY



O&G FRACTURING



MILITARY & EQUIPMENT

TALK WITH AN EXPERT



View Our
EH Series
HERE

 Sales@amot.com

 www.amot.com

CERTIFICATIONS



IP67 &
IP69K

EMC