

External Cylinder on High Temperature Engine Applications

Contents

- Applications
- Description
- Recommended Service Plan
- Supporting Images

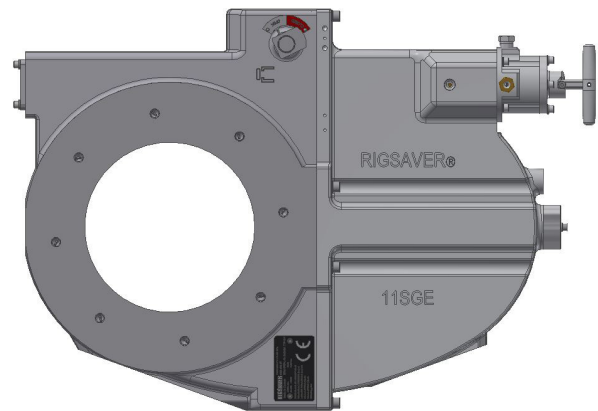
Applications

Diesel engines primarily for offshore power generation.

Engine Manufacturers*

- HHI-Himsen
9H32/40V
12H32/40V
14H32/40V
16H32/40V
18H32/40V

*Note: These are registered trademarks of each referenced company.



Next Generation 11SGE

Description

11SGE Phase 2 - Internal Cylinder*

Problem:

Elevated temperatures and time lead to seal degradation. As a result, air intake pressure enters activation cylinder and trips the valve.

Confirmation:

Two (2) separate vessels with similar design and engine type experienced premature and unplanned valve activation during (high load) vessel maneuvering.

11SGE Phase 2 - External Cylinder**

Solution:

Manufacturer added a vent between the seals and activation chamber to eliminate false trips, improved sealing capability, and added redundant "U-Cup" seals.

Kit Part Numbers

Description	Obsolete	New
11" RIGSAVER Valve	11SP-200	11SP-200-E
11" RIGSAVER Valve	11SP-201	11SP-201-E
Spindle Kit	RKS-11PL-31-B	RKS-11PL-54
Cover Kit	RKS-11PL-27-B	RKS-11PL-59

Contact Customer Service for the specific Kit Part Number for your valve.

Americas (1) 888-566-AMOT
EMEA/APAC +44 1284 715739

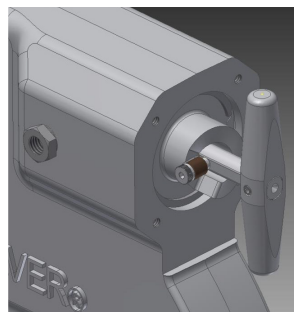
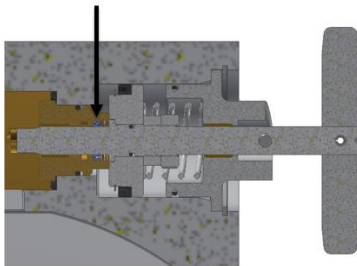
Recommended Service Plan

Applied to new parts numbers: 11SP-200-E, 11SP-201-E, RKS-11PL-54, RKS-11PL-59
Please note: complete cover kit service at 12,000 hours is no longer necessary.

Engine Hours on Valve Body	6,000	12,000	18,000	24,000
Spindle System Kit	●	●	●	
Gate Support Kit	●	●	●	
Replace Valve				●

Supporting Images

11SGE Internal Cylinder* (Obsolete)



11SGE External Cylinder* (New)

