

### Overview

The EH is AMOT's flagship actuator, built for extreme temperatures and high vibration applications. It is fully customizable for integration into virtually any system.

### Typical Applications

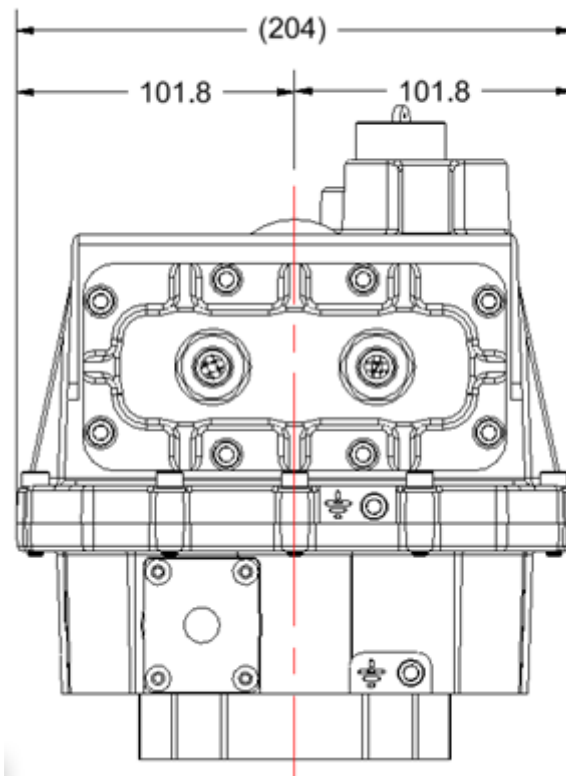
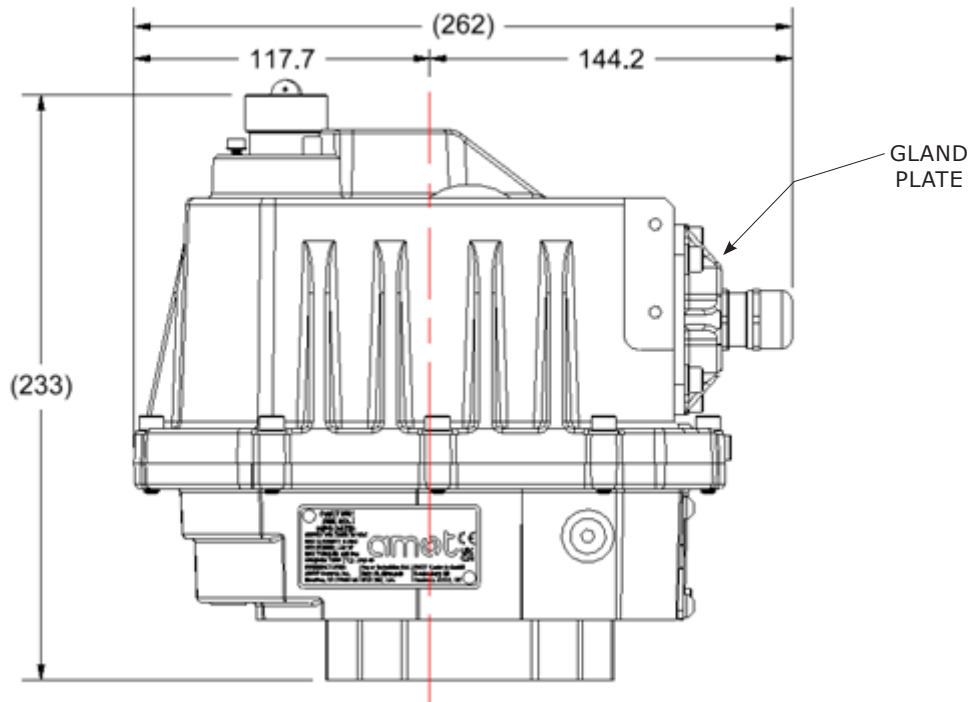
- Naval Vessels
- Locomotives
- Hydrogen Fuel Cells
- Oil & Gas Equipment
- Process Control
- On-Engine



**Model EH125**

### Features and Benefits

- High vibration and shock resistance
- -40°C to +125°C operating temperature range
- CE/UKCA certified
- Hazardous location options available
- Manual override incorporated in design
- Configurable analog and digital IO options
- SAE J1939 CAN capable
- High speed, configurable quarter turn time, minimum 6s
- 24VDC operation
- 125 Nm
- IP67, IP69K





## Specifications

EH Series

<b>Power</b>	24V DC, 5A Max
<b>Duty Cycle</b>	100%
<b>Limit Switches</b>	Software configurable
<b>Motor Thermal Protection</b>	Fitted as standard
<b>Angular Rotation</b>	90° standard
<b>Mounting</b>	ISO5211 F07 & F10 patterns, High vibration mount pattern Mounted in any orientation
<b>Mass</b>	11kg
<b>Position Sensor</b>	Hall Effect + visual indicator
<b>Cable Entry</b>	2 X M20 1.5 Standard M12, M16, M25 also available
<b>I/O</b>	0-10 V, 4-20 mA, PWM, J1939 CAN Software configurable (2 inputs, 2 outputs)
<b>Electrical Safety</b>	CE marked
<b>Mechanical Stop</b>	Internal, non-adjustable
<b>Manual Override</b>	Fitted as standard
<b>Materials</b>	Steel, aluminium alloy, aluminium bronze, polycarbonate
<b>External Coating</b>	Anodized aluminum
<b>Weatherproof Enclosure</b>	IP 67, IP 69K
<b>Ambient Temperature</b>	-40°C to 125°C
<b>Anti-Condensation Heater</b>	10W
<b>Vibration Resistance</b>	10+ GRMS random vibration
<b>Mechanical Shock</b>	MIL-STD-810G, 516.6 Shock, 40G
<b>Life</b>	Tested to +1M cycles
<b>Hazardous Area</b>	IECEX IIB+H2 variants available

## Performance

Actuator	Quarter Turn Time (seconds)	Accuracy (deg)	Power
EH125	Configurable, minimum of 6s	0.5	24 VDC

Note: Zero deadband

<b>Example code</b>	EH	125	A	A	1	B	B	A	A	<b>Code description</b>	
										<b>Actuator type</b>	
<b>Actuator type</b>	EH									Electric	
										<b>Size</b>	
<b>Size</b>		125								125Nm	
										<b>Rotation travel</b>	
<b>Rotation travel</b>			A							90 Degrees	
										<b>Failure state</b>	
<b>Failure state</b>										<b>Loss of Power</b>	<b>Loss of Signal</b>
			A							Fail-in-Place	Fail-in-Place
			B							Fail-in-Place	Fail 0° (CCW Limit)
			C							Fail-in-Place	Fail 90° (CCW Limit)
										<b>Supply voltage</b>	
<b>Supply voltage</b>					1					24VDC	
										<b>Control signal</b>	
<b>Control signal</b>						B				4-20 mA	
						C				20-4 mA	
						K				0-10 VDC	
						L				10-0 VDC	
						M				0-1000 CAN J1939	
						N				1000-0 CAN J1939	
						R				0-100 PWM	
						S				100-0 PWM	
										Note: Signal limits correspond to CCW limit (Start) to CW Limit (End). Ex: 4mA (CCW limit) – 20mA (CW limit)	
										<b>Feedback signal</b>	
<b>Feedback signal</b>						B				4-20 mA	
						C				20-4 mA	
						K				0-10 VDC	
						L				10-0 VDC	
						M				0-1000 CAN J1939	
						N				1000-0 CAN J1939	
						R				0-100 PWM	
						S				100-0 PWM	
										Note: Signal limits correspond to CCW limit (Start) to CW Limit (End). Ex: 4mA (CCW limit) – 20mA (CW limit)	
										<b>Wiring connection</b>	
<b>Wiring connection</b>										<b>Left Position</b>	<b>Right Position</b>
						A				M20 Cable Gland	M20 Cable Gland
						B				M16 Cable Gland	M16 Cable Gland
						* C				M25 Cable Gland	M25 Cable Gland
						D				M20 Cable Gland	M16 Cable Gland
						** E				M25 Cable Gland	M20 Cable Gland
						F				M25 Cable Gland	M16 Cable Gland
										Note: Other cable gland connections available	
										<b>Output Drive</b>	
<b>Output Drive</b>						A				17mm Double Square (Standard option)	
						B				19mm Double Square	

\* Standard for: 4-20mA, 20-4mA, 0-10VDC, 10-0VDC

\*\* Standard for: 0-1000 CAN J1939, 1000-0 CAN J1939, 0-100 PWM, 100-0 PWM

### **Americas**

AMOT - USA  
Tel +1 (281) 940 1800  
Fax +1 (713) 559 9419  
customer.service@amot.com

AMOT - Canada  
Tel +1 (780) 465 4429  
Fax +1 (780) 469 6275  
customer.service@amot.com

**[www.amot.com](http://www.amot.com)**

### **Asia Pacific**

AMOT - China  
Tel +86 21 5910 4052  
Fax +86 21 5237 8560  
shanghai@amot.com

### **Europe, Middle East and Africa**

AMOT - United Kingdom  
Tel +44 (0) 1284 715739  
Fax +44 (0) 1284 760256  
info@amot.com

AMOT - Germany  
Tel +49 (0) 40 8537 1298  
Fax +49 (0) 40 8537 1331  
germany@amot.com