

Overview

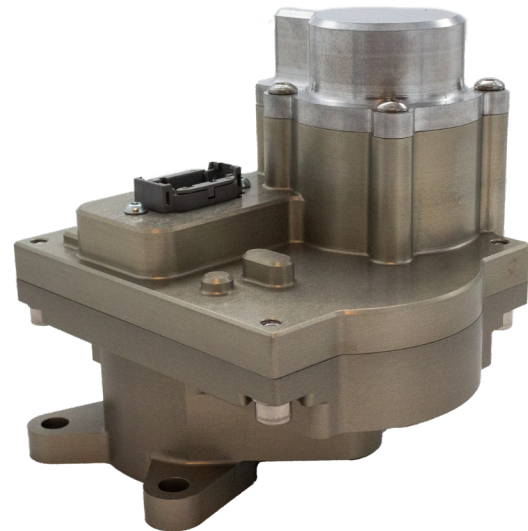
The compact version of AMOT's flagship actuator, built for extreme temperatures and high vibration applications. It's small size is ideal for OEM implementations.

Typical Applications

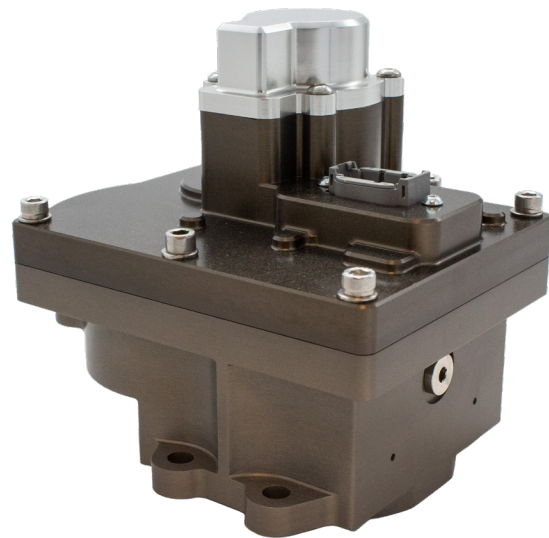
- Naval Vessels
- Locomotives
- Hydrogen Fuel Cells
- Oil & Gas Equipment
- Process Control

Features and Benefits

- High vibration and shock resistance
- -40C to +125C operating temperature range
- CE for basic electrical safety
- Hazardous location options available (IECex IIB + H2)
- Manual override available
- Configurable analog IO options
- CAN communication capable
- High speed, configurable quarter turn time, minimum 0.5s
- 24VDC operation
- 10 Nm, 25 Nm
- IP67, IP69K



Model EH10

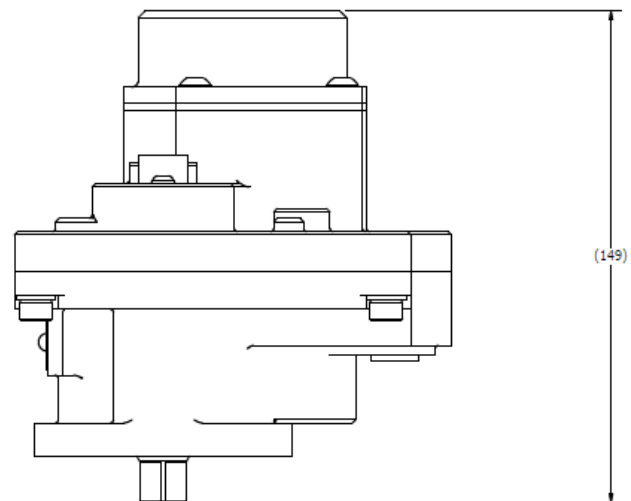
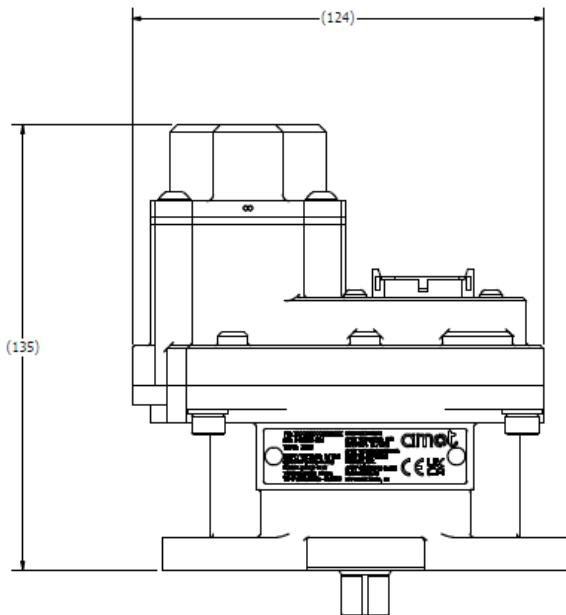
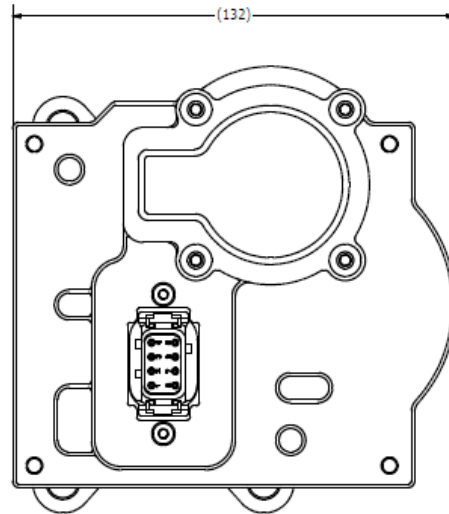


Model EH25

Dimensions

EH Series

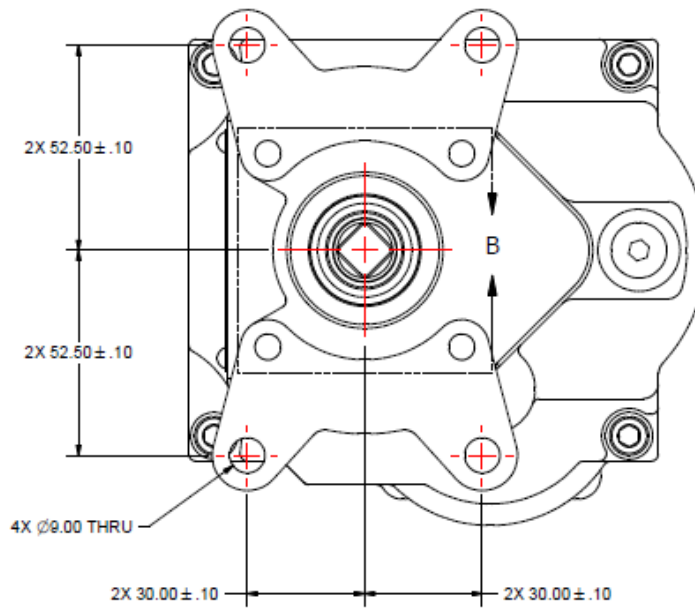
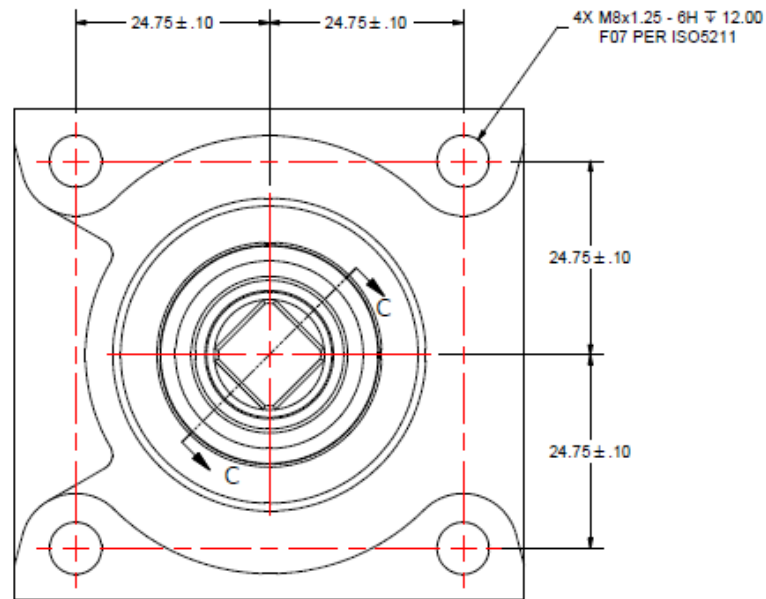
EH10



Dimensions

EH Series

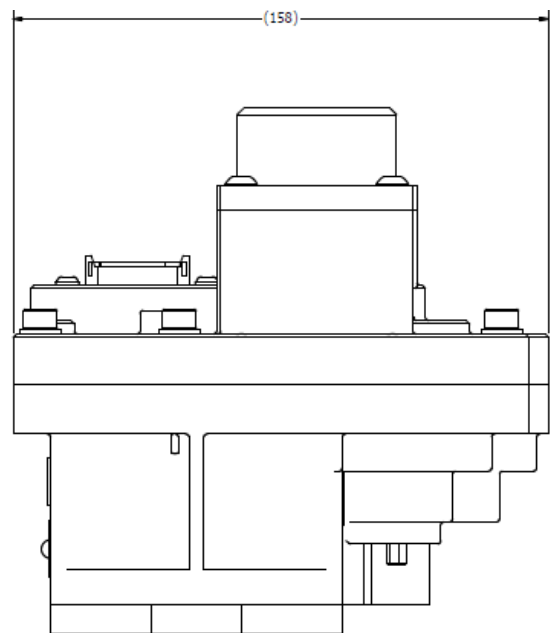
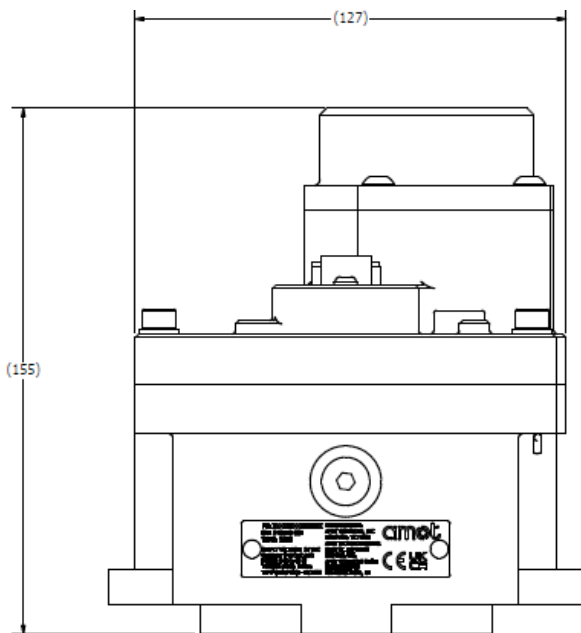
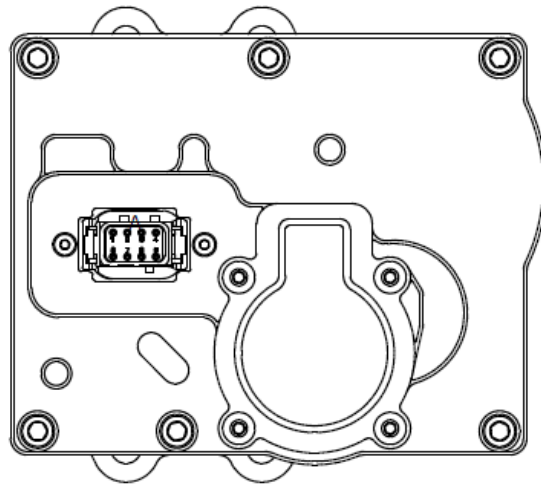
EH10



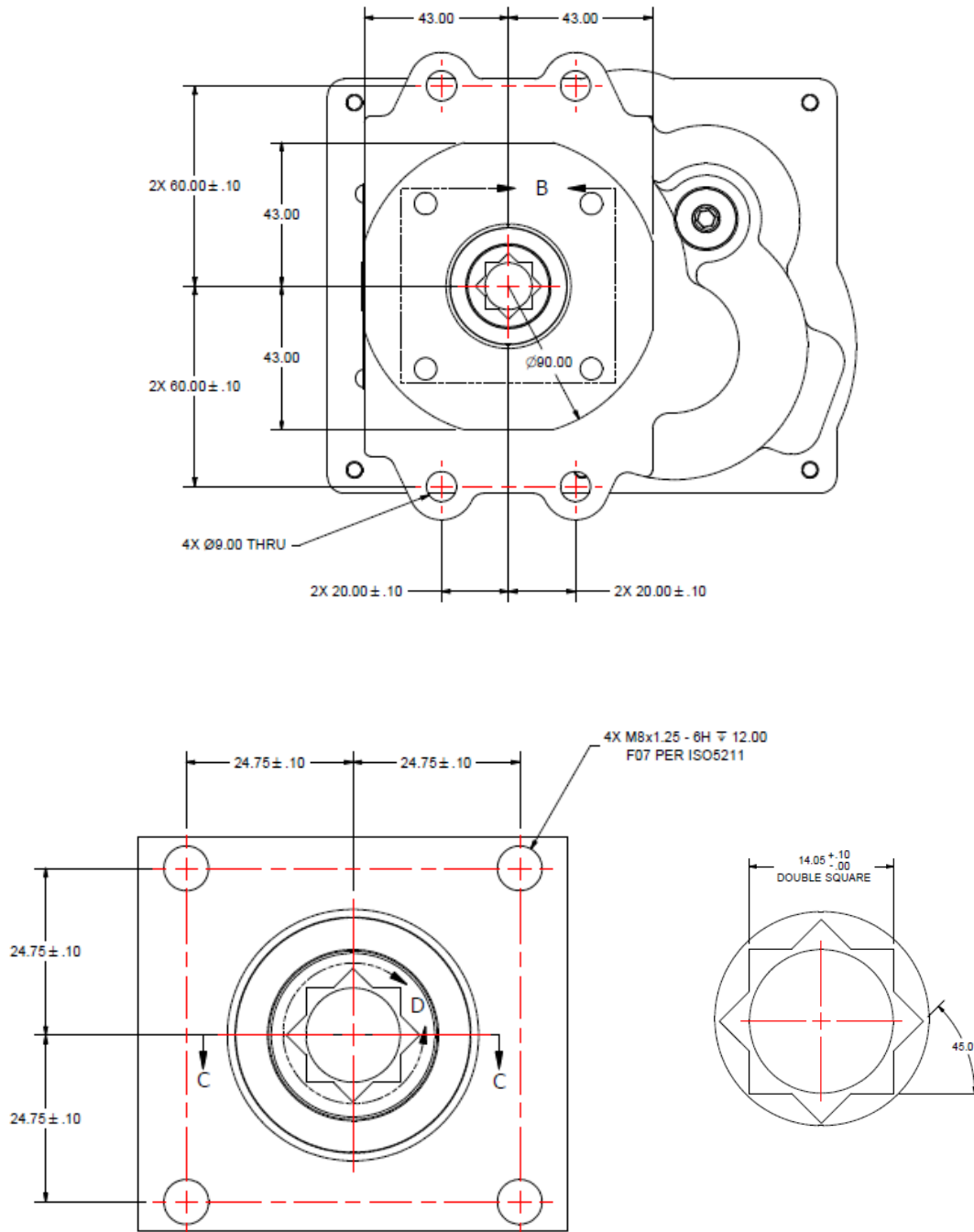
Dimensions

EH Series

EH25



EH25



Specifications

EH Series

Power	24V DC	
Limit Switches	CAN only, Software configurable	
Motor Thermal Protection	Fitted as standard	
Angular Rotation	90° standard	Quarter turn
Mounting	ISO5211 F07 pattern, High vibration mount pattern Mounted in any orientation	
Mass	10Nm = 2.5kg	25Nm = 4.0kg
Position Sensor	Hall Effect	
Cable Entry	8 pin bulkhead connector	
I/O	0-10 V, 4-20 mA, PWM, J1939 CAN Software configurable (1 input, 1 output)	
Electrical Safety	CE marked	
Mechanical Stop	Internal, non-adjustable	
Manual Override	10Nm = Optional	25Nm = Standard
Materials	Aluminium alloy, stainless steel	
External Coating	Anodized aluminum	
Weatherproof Enclosure	IP 67, IP 69K	
Ambient Temperature	-40°C to 125°C	-40°F to 257°F
Vibration Resistance	Random: 14.1 GRMS, 10-1000 Hz, 20 hours/axis	
Mechanical Shock	MIL-STD-810G, 516.6 Shock, 40G	
Life	Tested to +1M cycles	
Hazardous Area	IECEX IIB+H2 variants available	

Performance

Actuator	Duty Cycle 20°C	Stroke time (seconds)	Power
EH10	100%	0.5	24 VDC
EH25	100%	1.5	24 VDC

Example code	EH	10	A	A	1	B	B	A	Code description
									Actuator type
Actuator type	EH								Electric
									Size
Size		10							10Nm
		25							25Nm
									Rotation travel
Rotation travel			A						90 Degrees
									Failure state
Failure state				A					Fail in place
									Supply voltage
Supply voltage					1				24VDC
									Control signal
Control signal						B			4-20 mA
						C			20-4 mA
						K			0-10 VDC
						L			10-0 VDC
						M			CAN J1939
						N			PWM
									Feedback signal
Feedback signal						B			4-20 mA
						C			20-4 mA
						K			0-10 VDC
						L			10-0 VDC
						M			CAN J1939
						N			PWM
									Wiring connection
Wiring connection							A		* 8 Pin bulkhead connector

* Standard option

Americas

AMOT - USA
Tel +1 (281) 940 1800
Fax +1 (713) 559 9419
customer.service@amot.com

AMOT - Canada
Tel +1 (780) 465 4429
Fax +1 (780) 469 6275
customer.service@amot.com

www.amot.com

Asia Pacific

AMOT - China
Tel +86 21 5910 4052
Fax +86 21 5237 8560
shanghai@amot.com

Europe, Middle East and Africa

AMOT - United Kingdom
Tel +44 (0) 1284 715739
Fax +44 (0) 1284 760256
info@amot.com

AMOT - Germany
Tel +49 (0) 40 8537 1298
Fax +49 (0) 40 8537 1331
germany@amot.com