

Hydraulically Actuated Diesel Engine Shutdown Valves

HVX-Series

Overview

Flammable gas or vapor drawn into the intake of a diesel engine acts as an additional uncontrolled fuel supply and can cause uncontrolled engine overspeed followed by mechanical failure or flash back from the intake, resulting in ignition of the surrounding flammable atmosphere. When this occurs, the only way to stop the engine is by installing an air intake shutdown (shutoff) valve.

The HVX Oil Pressure to Latch Open with Manual Open/Stop Lever Valve is opened using the manual start/stop lever. Once the engine has been started and running, the valve is held open by the engine oil pressure. The valve will close when the oil pressure at the valve drops below 20 psi (1.4 bar).



Features & Benefits

- Suitable for hazardous and non-hazardous area applications
- Installation flexibility with basic flange mount or optional hose adaptors
- Corrosion resistant, anodized aluminum and stainless steel construction
- Position indication with microswitch option
- Local and cable-operated manual close options
- Slim-fit 3" and 5"; lightweight valve body

Applications*

- Drilling rigs (onshore & offshore)
- Drilling support equipment
- Well servicing equipment
- Refinery support equipment
- Mining equipment
- Generator sets
- Work boats
- Barges

*Not approved for vehicular applications.

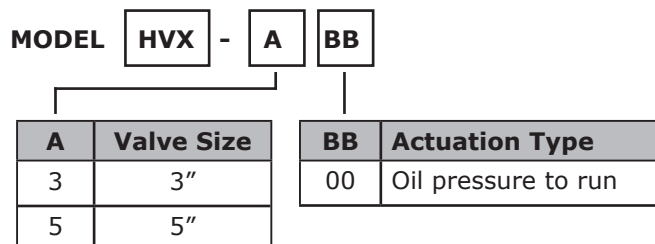
Hydraulically Actuated Diesel Engine Shutdown Valves

HVX-Series

Specifications

| | | | |
|---|-------------------------|--|----------------|
| Standard materials | Valve body and disc | Hard anodized aluminum with PTFE coating | |
| | Spindles and mechanisms | 316 stainless steel | |
| Net weight (including actuator) | Product weight | 2 kg (4.0 lbs) | |
| | Shipping weight | TBA | |
| Intake air temperature range | Standard valve | -30°C to 150°C | -22°F to 302°F |
| Ambient air temperature range | Standard valve | -30°C to 60°C | -22°F to 140°F |
| Pressure to hold open | Min | 120 psi | 1.4 bar |
| | Max | | |

How to Order



Hose Adaptor Options

If the valve is to be fitted into a hose as opposed to flange mounted, suitable hose adaptors may be selected from the table below for ordering with the valve.

| 76mm (3") Bore Valves | |
|-----------------------|-------------------------------|
| Adaptor Part Number | To Suit Hose Bore mm (inches) |
| HAX-320 | 38 (1 1/2) |
| HAX-322 | 44.5 (13/4) |
| HAX-301 | 51 (2) |
| HAX-303 | 57 (2 1/4) |
| HAX-304 | 60 (2 3/8) |
| HAX-305 | 63.5 (2 1/2) |
| HAX-306 | 67 (2 5/8) |
| HAX-307 | 70 (2 3/4) |
| HAX-309 | 76 (3) |
| HAX-312 | 82.5 (31/4) |
| HAX-314 | 89 (3 1/2) |
| HAX-319 | 102 (4) |

| 127mm (5") Bore Valves | |
|------------------------|-------------------------------|
| Adaptor Part Number | To Suit Hose Bore mm (inches) |
| HAX-501 | 89 (3 1/2) |
| HAX-503 | 95 (3 3/4) |
| HAX-505 | 102 (4) |
| HAX-507 | 108 (4 1/4) |
| HAX-509 | 114 (4 1/2) |
| HAX-511 | 121 (4 3/4) |
| HAX-513 | 127 (5) |
| HAX-518 | 140 (5 1/2) |
| HAX-523 | 152 (6) |

Hydraulically Actuated Diesel Engine Shutdown Valves

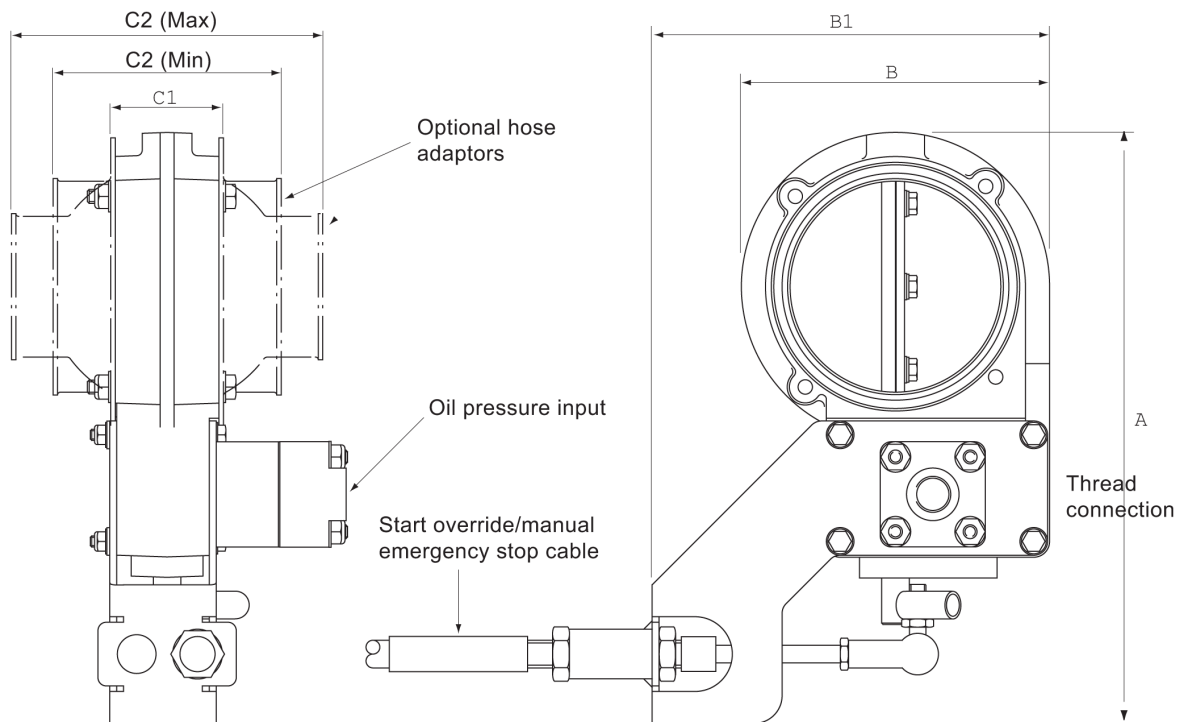
HVX-Series

Select the required length of the manual shut down cable from the table below. Alternative lengths may be available on request. Also order start/stop handle RLX-100.

| Assembly Part No. | Length (meters) |
|-------------------|-----------------|
| CHW-100 | 1 |
| CHW-200 | 2 |
| CHW-250 | 2.5 |
| CHW-300 | 3 |

Dimensions

Illustration based on HVX-300



| Valve Model | Nominal Bore Diameter | A | | B | | B1 | | C1 | | C2 min & max | |
|-------------|-----------------------|-----|------|-----|-----|-----|-----|------|-----|----------------|------------|
| | | mm | in | mm | in | mm | in | mm | in | mm | in |
| HVX-300 | 76 (3") | 214 | 8.4 | 112 | 4.4 | 144 | 5.7 | 37.5 | 1.5 | 82.5 to 112.5 | 3.2 to 4.4 |
| HVX-500 | 127 (5") | 270 | 10.6 | 167 | 6.6 | 172 | 6.8 | 45.5 | 1.8 | 102.0 to 157.5 | 4.0 to 6.2 |

Hydraulically Actuated Diesel Engine Shutdown Valves

HVX-Series

Americas

AMOT - USA
Tel +1 (281) 940 1800
Fax +1 (713) 559 9419
sales@amot.com

Roda Deaco - Canada
Tel +1 (780) 465 4429
Fax +1 (780) 469 6275
info@rodadeaco.com

Asia Pacific

AMOT - China
Tel +86 21 6279 7700
Fax +86 21 5237 8560
shanghai@amot.com

AMOT - Singapore
Tel +65 6408 6265
Fax +65 6293 3307
singapore@amot.com

Europe, Middle East and Africa

AMOT - England
Tel +44 (0) 1284 762222
Fax +44 (0) 1284 760256
info@amot.com

AMOT - Germany
Tel +49 (0) 40 8537 1298
Fax +49 (0) 40 8537 1331
germany@amot.com



WARNING

This product can expose you to chemicals including Lead, which is known to the state of California to cause cancer and birth defects or other reproductive harm. For more information go to www.P65Warnings.ca.gov.

CHALWYN