

# 2-Way Vent Valve

## Model 4095B

---

### Typical applications

- Connecting rod bearing temperature detectors
- Broken piston rod indication
- Typically used with AMOT Model 4102D Temperature Detectors



**Model 4095B**

### Key features and benefits

- No adjustments required
- ¼ NPT conduit connection
- Requires minimal force to activate
- Can be mounted in any position

# 2-Way Vent Valve - Model 4095B

---

## Contents

---

Overview .....	3
Installation .....	3
How to Order .....	3
Specification .....	4
Dimensions .....	4
Maintenance and Service Parts .....	5
Contact .....	6

# 2-Way Vent Valve - Model 4095B

## Overview

Model 4095 is for manual or mechanical tripping applications where a manual reset is desired. It is a normally closed unit which is ideal for use as a stroke or reach limit valve.

It is typically actuated by overspeed trip levers, connecting rod bearing temperature detectors, broken piston rods on older horizontal type compressors, etc. Recommended for use with AMOT Model 4102 Bearing Temperature Detectors.

Model 4095 vent valves are closed in "set" position and vents when tripped.

## Installation

Model 4095 vent valves must be installed in a clean system to insure that no foreign material such as teflon tape, metal chips, etc. gets into it. Both ports are 1/4 NPT. The valve is provided with two (2) 17/64" diameter mounting hole for 1/4 bolts. It may be located for ease of operation if it is to be manually tripped.

When used with the AMOT Model 4102 Bearing Temperature Detector, if at all possible, the vent valve should be installed above the oil level in the sump. This makes visual check possible, also aids in manually resetting the valve when hot. It further prevents the possibility of "drag" effect tripping the lever when the rod tip passes by in very cold oil.

## How to Order

Use the table below to select the unique specification of your Model 4095 2-Way Vent Valve.

Example	4095B	1	2		Code description
					<b>Basic model (A)</b>
<b>Basic model (A)</b>	4095B				
					<b>Thread and finish (B)</b>
<b>Thread and finish (B)</b>		1			NPT, standard finish
					<b>Lever type (C)</b>
<b>Lever type (C)</b>			1		Standard
			2		Extended lever (3" wide)
					<b>Customer special requirements (D)</b>
<b>Customer special requirements (D)</b>				-AA	Standard (may be omitted)
				-***	Made-to-order

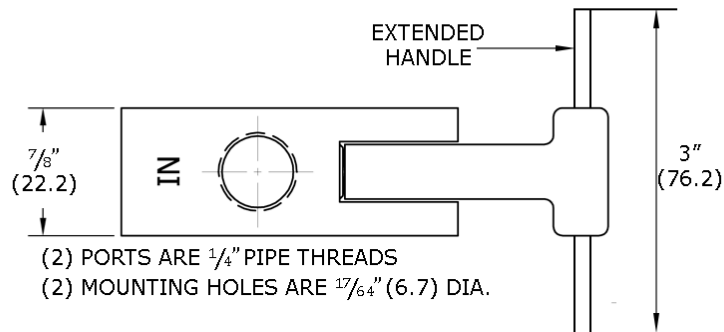
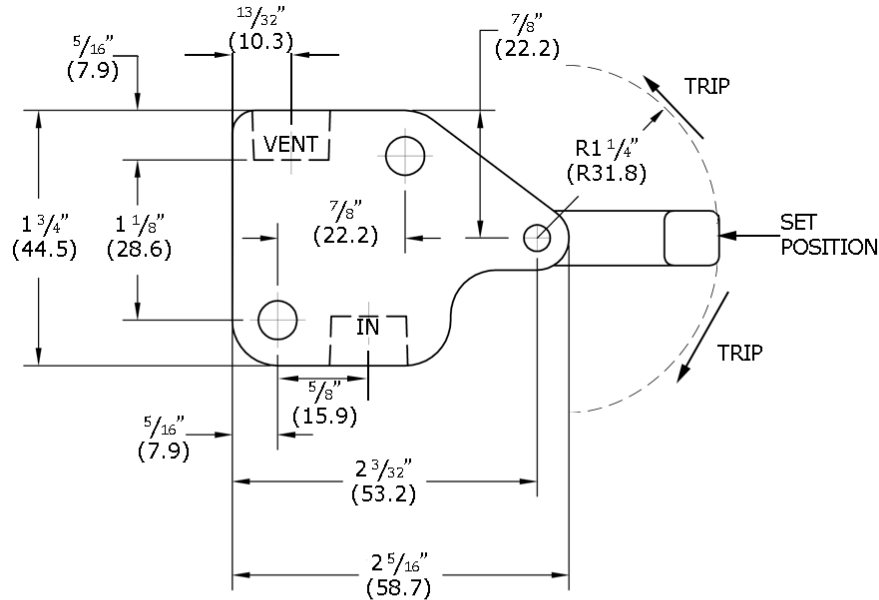
# 2-Way Vent Valve - Model 4095B

## Specification

		Metric units	English units
<b>Body material</b>	Aluminum		
<b>Connections</b>	¼ NPT		
<b>Lever travel to trip</b>		9.5 mm	¾"
<b>Force to trip</b>		0.79 kgf	1.75 lbf
<b>Maximum working pressure</b>		1,030 kPa	150 psi
<b>Net weight</b>		0.11 kg	¼ lb.
<b>Shipping weight</b>		0.23 kg	½ lb.

## Dimensions

Dimensions - inches (mm)



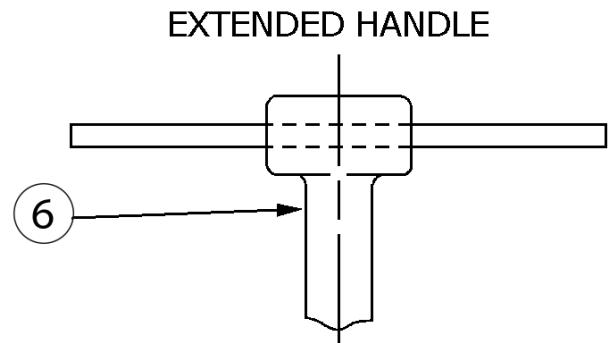
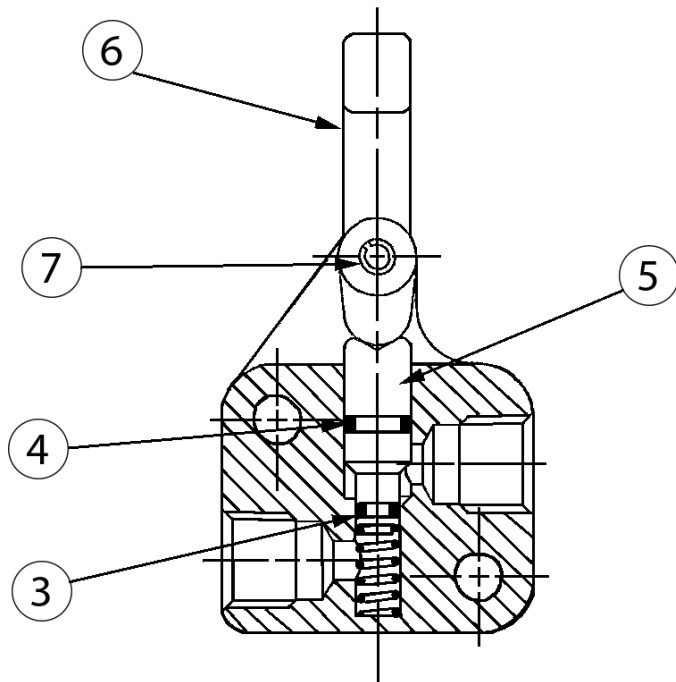
# 2-Way Vent Valve - Model 4095B

## Maintenance and Service Parts

Over time, exposure to foreign chemicals and particulate matter as well as prolonged operation at extreme conditions may reduce the effectiveness of the valve. At such time, AMOT 2-Way Vent Valves can be restored to original performance by replacing the service parts. Service parts for AMOT 2-Way Vent Valves include seals and seal components required for normal maintenance. Please order service parts using the part numbers, quantities and descriptions given in the service parts table below.

AMOT designs and tests all its products to ensure that high quality standards are met. For good product life, carefully follow AMOT's installation and maintenance instructions; failure to do so could result in damage to the equipment being protected or controlled.

Service parts			
Ref no.	Part no.	Qty.	AMOT part description
3	251L001	1	Lower piston seal
4	1625L001	1	Upper piston seal
-	ISB-4095-001	1	4095B Installation and Service Bulletin



# 2-Way Vent Valve - Model 4095B

---

## Contact

---

### Americas

---

AMOT USA  
8824 Fallbrook Dr.  
Houston, TX 77064  
USA

Tel: +1 (281) 940 1800  
Fax: +1 (713) 559 9419  
Email: [customer.service@amot.com](mailto:customer.service@amot.com)

### Asia Pacific

---

AMOT Shanghai  
Bd. 7A, No. 568, Longpan Rd., Malu Jiading  
Shanghai 201801  
China

Tel: +86 21 5910 4052  
Fax: +86 21 5237 8560  
Email: [shanghai@amot.com](mailto:shanghai@amot.com)

### Europe, Middle East and Africa

---

AMOT UK  
Western Way  
Bury St. Edmunds  
Suffolk, IP33 3SZ  
England

Tel: +44 1284 715739  
Fax: +44 1284 760256  
Email: [info@amot.com](mailto:info@amot.com)

AMOT Germany  
Rondenbarg 25  
22525 Hamburg  
Germany

Tel: +49 40 8537 1298  
Fax: +49 40 8537 1331  
Email: [germany@amot.com](mailto:germany@amot.com)