

Overview

The AMOT XT product range uses the best available technology to shut down a runaway diesel by positively choking off engine intake air. The valve operates as part of a fully automatic overspeed shutdown system when paired with our Revguard speed switch and activation kit.

The XT range is currently offered with electric actuation. Actuation of the XT solenoid rapidly closes the valve's butterfly disc which shuts off intake air flow into the engine.

The XT range is available in a variety of sizes to fit your specific applications.

It is manufactured from corrosion resistant, RoHS compliant materials that offer toughness under extreme temperatures and resistance to corrosive environments.

Our valves are tested to strict OEM standards for shock, corrosion, vibration, and life cycle.



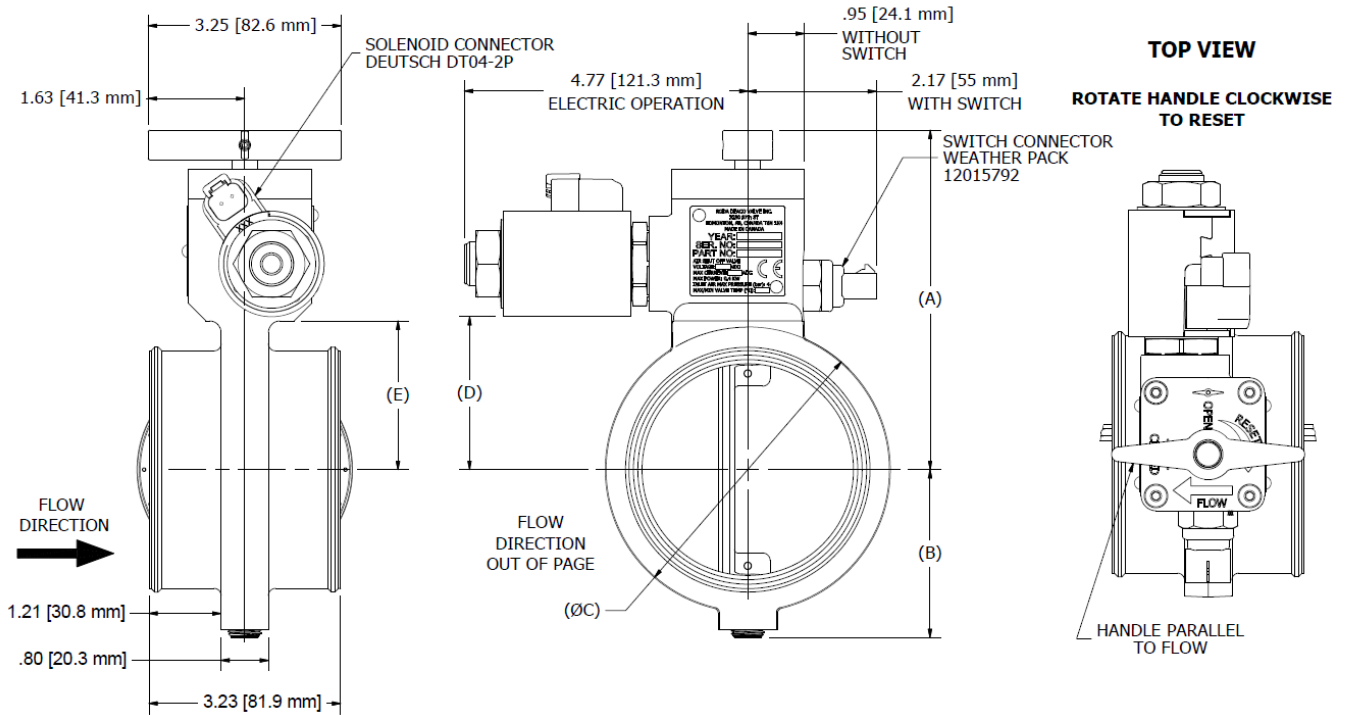
Features and Benefits

- 12V/24V electric actuation, pneumatic actuation
- Compact design
- Tested to rigorous OEM standards
- IP69K rated for resistance to dust and ability to withstand high temperature water jets
- Optional valve position switch
- Field serviceable components
- Corrosion resistant aluminum alloy construction

Dimensions

Electric Actuation

Side View



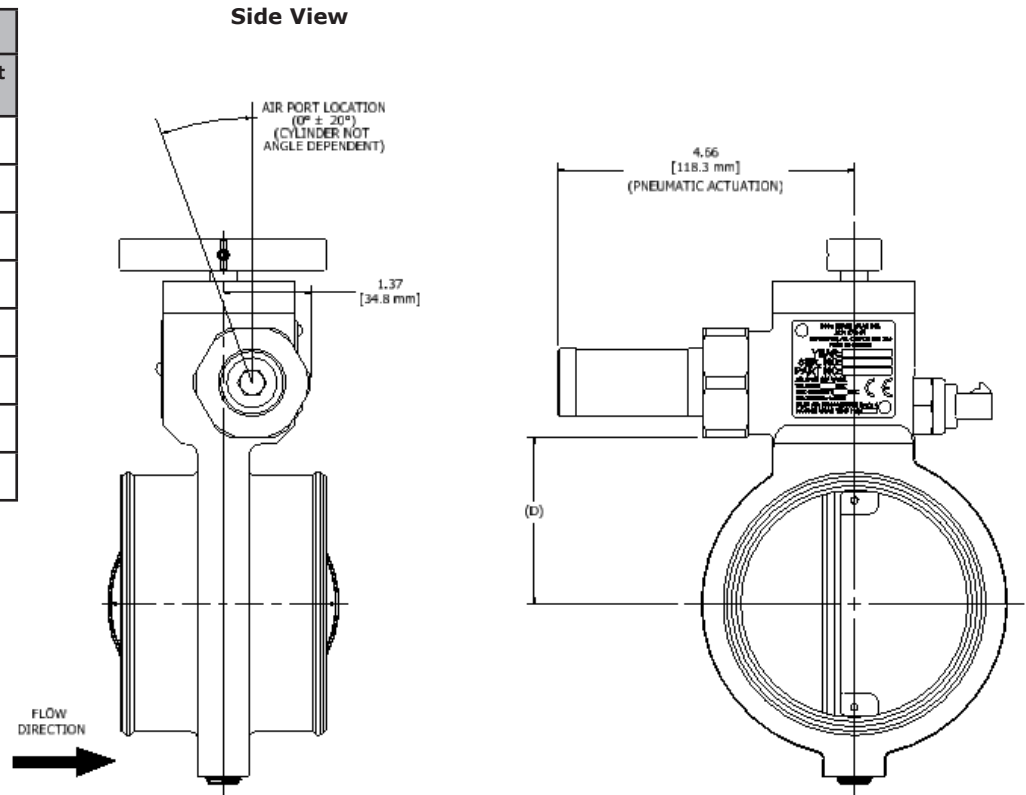
VALVE DIMENSIONS						
OD (in)	A (in)	B (in)	C (in)	D (in)	E (in)	Weight (lb)
3.5	5.46	2.58	4.30	2.32	2.25	4.0
4.0	5.71	2.83	4.80	2.57	2.50	4.1
5.0	6.21	3.33	5.80	3.07	3.00	4.5

VALVE DIMENSIONS						
OD (in)	A (in)	B (in)	C (in)	D (in)	E (in)	Weight (lb)
5.5	6.71	3.48	6.30	3.32	3.25	5.4
6.0	6.96	3.73	6.80	3.57	3.50	5.6
7.0	7.46	4.23	7.80	4.07	4.0	6.2
8.0	7.96	4.73	8.80	4.57	4.50	6.8

Dimensions

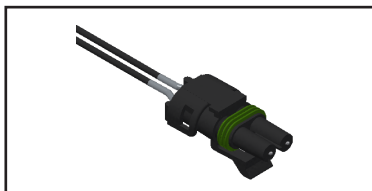
Pneumatic Actuation

Valve Dimensions		
OD (in)	D (in)	Weight (lb)
3.0	2.10	2.8
3.5	2.25	4.0
4.0	2.50	4.1
5.0	3.00	4.5
5.5	3.37	4.4
6.0	3.60	4.6
7.0	4.10	5.2
8.0	4.60	5.8

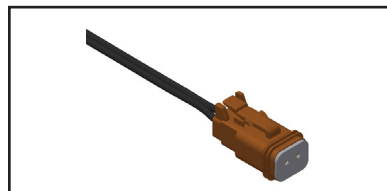


Mating Solenoid and Switch Connectors

Included with Valve (comes with 12-inch pigtail)



XT switch connector (RKS-XT-017)



XT solenoid connector (RKS-XT-016)

Specifications

Standard Materials		Valve body/disc	Anodized aluminum
		Seals	Viton
		Solenoid housing	Plated steel
Intake & Ambient Air Temp	Electric	Minimum: -40°C / maximum: 125°C	
	Pneumatic	Minimum: -20°C / maximum: 125°C	
Max Charge Air Pressure		5 bar (72 psi)	
Electric Solenoid	12 VDC	26.4 Amps (max) @ 13.2 VDC / -40°C	
		19.8 Amps (max) @ 13.2 VDC / 25°C	
	24 VDC	13.2 Amps (max) @ 26.4 VDC / -40°C	
		9.9 Amps (max) @ 26.4 VDC / 25°C	
Pneumatic Actuation		40 psi (275 kPa) min to 150 psi (1034 kPa) max via 1/8" NPT port	
Switch Rating		4.4 Amps DC maximum	

Product Code Definitions

Example	XT	3	5	B	2	A	3.5" OD, 24V, low temp, no switch
---------	----	---	---	---	---	---	-----------------------------------

Basic model code	XT								
							mm OD	inches OD	
Valve flange size		3	5				89	3.5	
		4	0				102	4.0	
		5	0				127	5.0	
		5	5				140	5.5	
		6	0				152	6.0	
		7	0				178	7.0	
		8	0				203	8.0	
Actuator	A						Electric power to close - 12 VDC		
	B						Electric power to close - 24 VDC		
	C						Pneumatic pressure to close		
Temperature	1						Normal (-20°C to +125°C) not available on 5" and larger		
	2						Low temp (-40°C to +125°C)		
Switch type	A						No switch		
	B						Valve open = switch open		
	C						Valve open = switch closed		

Service Kits

Part No.	Description
RKS-XT-001	12V solenoid kit (A Actuator Code)
RKS-XT-003	24V solenoid kit (B Actuator Code)
RKS-XT-006	Switch kit: valve open = switch open (B Switch Code)
RKS-XT-007	Switch kit: valve open = switch closed (C Switch Code)

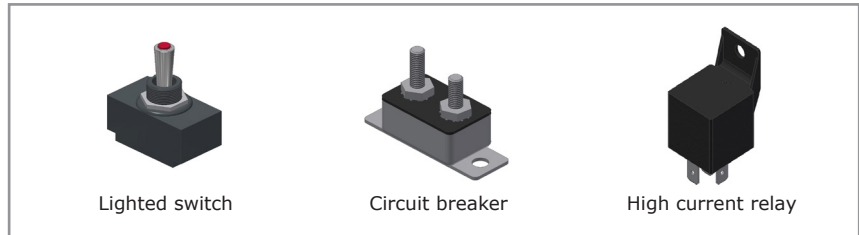
Accessories for Fully Automatic Systems

Activation Kits	
Part No.	Description
1520-001	Revguard 2 speed switch kit
AK2-E1-RM	Electric activation kit for 12V valve
AK2-E2-RM	Electric activation kit for 24V valve

Hose and Clamp Kits	
Part No.	Description
IK-3500H-01	Hose and clamp kit for 3.5 in (89 mm)
IK-4000H-01	Hose and clamp kit for 4.0 in (102 mm)
IK-5000H-01	Hose and clamp kit for 5.0 in (127 mm)
IK-5500H-01	Hose and clamp kit for 5.5 in (140 mm)
IK-6000H-01	Hose and clamp kit for 6.0 in (152 mm)
IK-7000H-01	Hose and clamp kit for 7.0 in (178 mm)
IK-8000H-01	Hose and clamp kit for 8.0 in (203 mm)



Revguard speed switch (1520-001)



Activation kit components



Hose and clamp kit (IK-3500H-01)

⚠ WARNING

These products can expose you to chemicals including carbon black (airborne and extracts), antimony trioxide, titanium dioxide, silica (crystalline), di(2-ethylhexyl)phthalate, ethylene thiourea, acrylonitrile, 1,3-butadiene, epichlorohydrin, toluenediisocyanate, tetrafluoroethylene, ethylbenzene, formaldehyde, furfuryl alcohol, glass fibers, methyl isobutyl ketone, nickel (metallic and compounds), lead and lead compounds which are known to the state of California to cause cancer; and 1,3 butadiene, epichlorohydrin, di(2-ethylhexyl)phthalate, di-isodecyl phthalate, ethylene thiourea, methyl isobutyl ketone, toluene, lead and lead components which are known to the state of California to cause birth defects and other reproductive harm. For more information go to www.P65Warnings.ca.gov.

Americas

AMOT - USA
 Tel +1 (281) 940 1800
 Fax +1 (713) 559 9419
 customer.service@amot.com

AMOT - Canada
 Tel +1 (780) 465 4429
 Fax +1 (780) 469 6275
 customer.service@amot.com

Asia Pacific

AMOT - China
 Tel +86 21 5910 4052
 Fax +86 21 5237 8560
 shanghai@amot.com

Europe, Middle East and Africa

AMOT - United Kingdom
 Tel +44 (0) 1284 715739
 Fax +44 (0) 1284 760256
 info@amot.com

AMOT - Germany
 Tel +49 (0) 40 8537 1298
 Fax +49 (0) 40 8537 1331
 germany@amot.com

www.amot.com