

Overview

The AMOT XTB product range uses the best available technology to shut down a runaway diesel by positively choking off engine intake air. The valve operates as part of a fully automatic overspeed shutdown system when paired with our Revguard 2 speed switch and activation kit.

The XTB range is currently offered with electric actuation. Actuation of the XTB solenoid rapidly closes the valve's butterfly disc which shuts off intake air flow into the engine.

The XTB range is available in two sizes and optional custom flanges.

It is manufactured from corrosion resistant, RoHS compliant materials that offer toughness under extreme temperatures and resistance to corrosive environments.

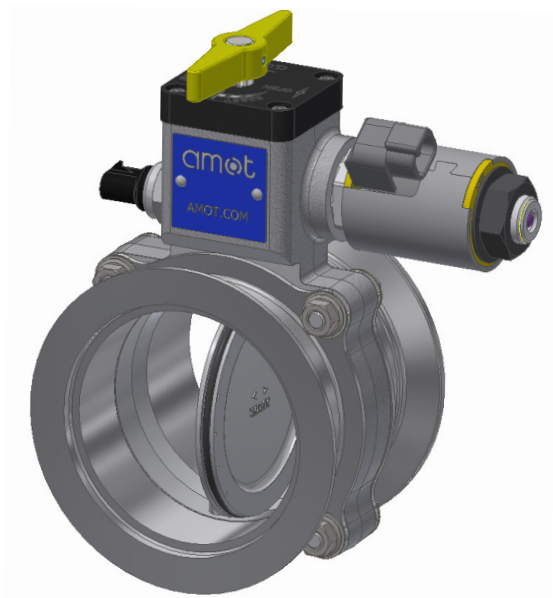
The XTB valve can be hard-mounted to engine intake systems, and is tested to strict OEM standards for shock, corrosion, vibration, and life cycle.

Features and Benefits

- Optional bolt-on flanges (contact factory)
- 12V/24V electric actuation, pneumatic actuation
- Compact design
- Tested to rigorous OEM standards
- IP69K rated for resistance to dust and ability to withstand high temperature water jets
- Optional valve position switch
- Field serviceable components
- Corrosion resistant aluminum alloy construction



Base XTB Valve

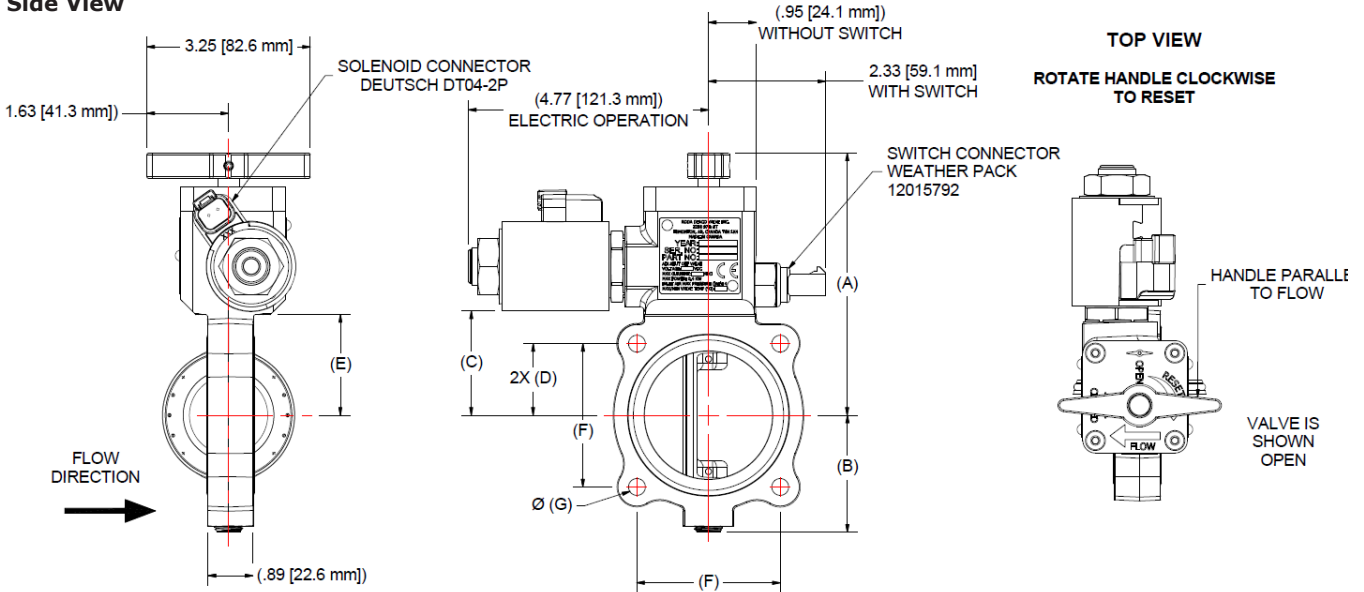


XTB Valve with Example Custom Flanges

Dimensions

Electric Actuation

Side View

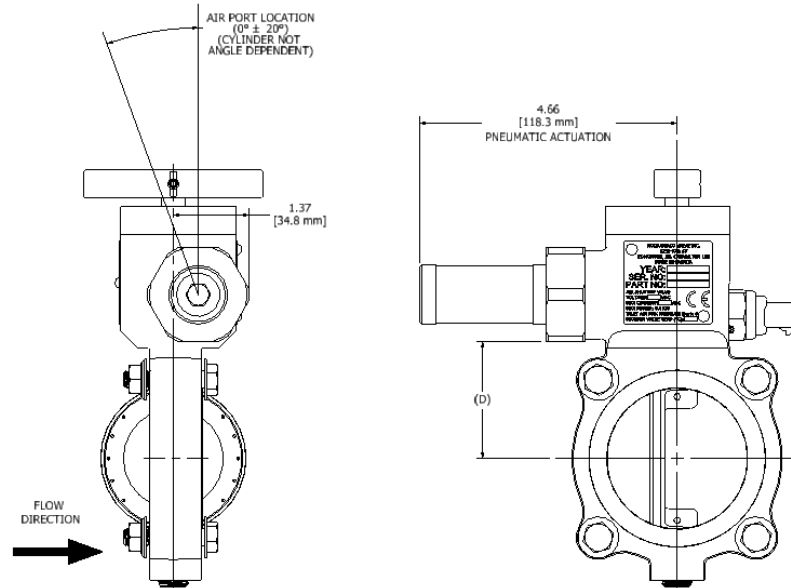


VALVE DIMENSIONS								
OD (in)	A (in)	B (in)	C (in)	D (in)	E (in)	F (in)	G (in)	Weight (lb)
3.0	5.21	2.33	3.80	1.43	2.00	2.85	0.33	3.8
4.0	5.71	2.83	4.80	1.77	2.50	3.53	0.33	4.1

Dimensions

Pneumatic Actuation

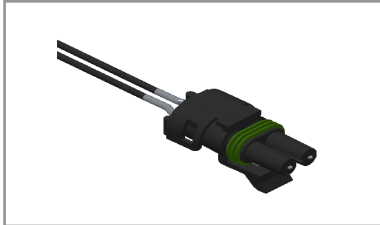
Side View



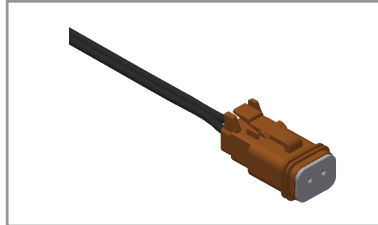
VALVE DIMENSIONS		
OD (in)	D (in)	Weight (lb)
3.0	1.43	3.7
4.0	1.77	4.3

Mating Solenoid and Switch Connectors

Included with Valve (comes with 12-inch pigtail)



XT switch connector (RKS-XT-017)



XT solenoid connector (RKS-XT-016)

Specifications

Standard Materials		Valve body/disc	Anodized aluminum
		Seals	Viton
		Solenoid housing	Plated steel
Intake & Ambient Air Temp	Electric	Minimum: -40°C / maximum: 125°C	
	Pneumatic	Minimum: -20°C / maximum: 125°C	
Max Charge Air Pressure		5 bar (72 psi)	
Electric Solenoid	12 VDC	26.4 Amps (max) @ 13.2 VDC / -40°C	
		19.8 Amps (max) @ 13.2 VDC / 25°C	
	24 VDC	13.2 Amps (max) @ 26.4 VDC / -40°C	
		9.9 Amps (max) @ 26.4 VDC / 25°C	
Pneumatic Actuation		40 psi (275 kPa) min to 150 psi (1034 kPa) max via 1/8 NPT port	
Switch Rating		4.4 Amps DC maximum	

Product Code Definitions

Example	XTB	3	0	B	2	A	3.0" OD, 24V, low temp, no switch
---------	-----	---	---	---	---	---	-----------------------------------

Basic model code	XTB							
							mm OD	inches OD
Valve flange size		3	0				76	3.0
		4	0				102	4.0
Actuator				A			Electric power to close - 12 VDC	
				B			Electric power to close - 24 VDC	
				C			Pneumatic pressure to close	
Temperature					2		Low temp (-40°C to +125°C)	
Switch type						A	No switch	
						B	Valve open = switch open	
						C	Valve open = switch closed	

Service Kits

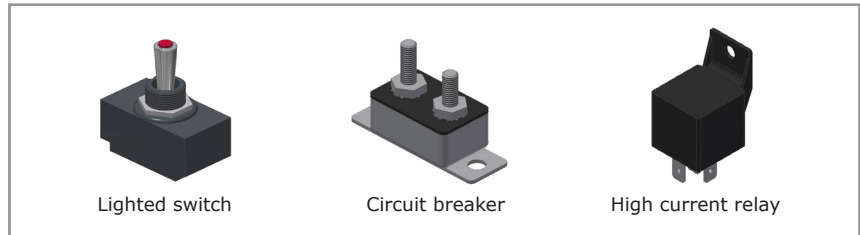
Part No.	Description
RKS-XT-001	12V solenoid kit (A Actuator Code)
RKS-XT-003	24V solenoid kit (B Actuator Code)
RKS-XT-006	Switch kit: valve open = switch open (B Switch Code)
RKS-XT-007	Switch kit: valve open = switch closed (C Switch Code)

Accessories for Fully Automatic Systems

Activation Kits	
Part No.	Description
1520-001	Revguard 2 speed switch
AK-E1-RM	Manual electric activation for 12V valve
AK-E2-RM	Manual electric activation for 24V valve



Revguard speed switch (1520-001)



Activation kit components

WARNING

These products can expose you to chemicals including carbon black (airborne and extracts), antimony trioxide, titanium dioxide, silica (crystalline), di(2-ethylhexyl)phthalate, ethylene thiourea, acrylonitrile, 1,3-butadiene, epichlorohydrin, toluenediisocyanate, tetrafluoroethylene, ethylbenzene, formaldehyde, furfuryl alcohol, glass fibers, methyl isobutyl ketone, nickel (metallic and compounds), lead and lead compounds which are known to the state of California to cause cancer; and 1,3 butadiene, epichlorohydrin, di(2-ethylhexyl)phthalate, di-isodecyl phthalate, ethylene thiourea, methyl isobutyl ketone, toluene, lead and lead components which are known to the state of California to cause birth defects and other reproductive harm. For more information go to www.P65Warnings.ca.gov.

Americas

AMOT - USA
 Tel +1 (281) 940 1800
 Fax +1 (713) 559 9419
customer.service@amot.com

AMOT - Canada
 Tel +1 (780) 465 4429
 Fax +1 (780) 469 6275
customer.service@amot.com

www.amot.com

DS-AMOT-XTB-0119-Rev8

Asia Pacific

AMOT - China
 Tel +86 21 5910 4052
 Fax +86 21 5237 8560
shanghai@amot.com

Europe, Middle East and Africa

AMOT - United Kingdom
 Tel +44 (0) 1284 715739
 Fax +44 (0) 1284 760256
info@amot.com

AMOT - Germany
 Tel +49 (0) 40 8537 1298
 Fax +49 (0) 40 8537 1331
germany@amot.com