

Rigsaver Air Intake Shut-off Valve

Model 3SGE -14SGE*

Overview

Rigsaver® is an air shut-off valve that is mounted in the air intake system to stop the airflow from entering the cylinders and positively immobilize the engine, safeguarding personnel and equipment. It can be manually or automatically controlled, responding to a variety of fault or hazard conditions.

The Rigsaver has been used worldwide, providing reliable service on and offshore under adverse conditions associated with locations in the Canadian Arctic, the Gulf of Mexico, the North Sea, the deserts of Africa, the Middle East and the Pacific Rim. Our product's quality meets or exceeds the stringent requirements of our broad customer base, which includes leading engine OEM's.

Rigsaver will cut off the air supply to a diesel engine, safely bringing the engine to a stop. Installing an air shut-off device protects both personnel and equipment.

Key features and benefits

- Manual or automatic controls
- Used on-shore and off-shore
- Responds to a variety of fault or hazard conditions
- Available with 3" (76mm) to 14" (355mm) of unrestricted port
- Operates safely at ambient and induction air temperatures between 350°F - 400°F (176°C - 205°C)

Typical Applications

- Power generation
- Off-shore platforms
- Bulk fuel loading facilities
- Marine engine rooms
- Mining equipment
- Refineries
- Petrochemical plants



11SGE



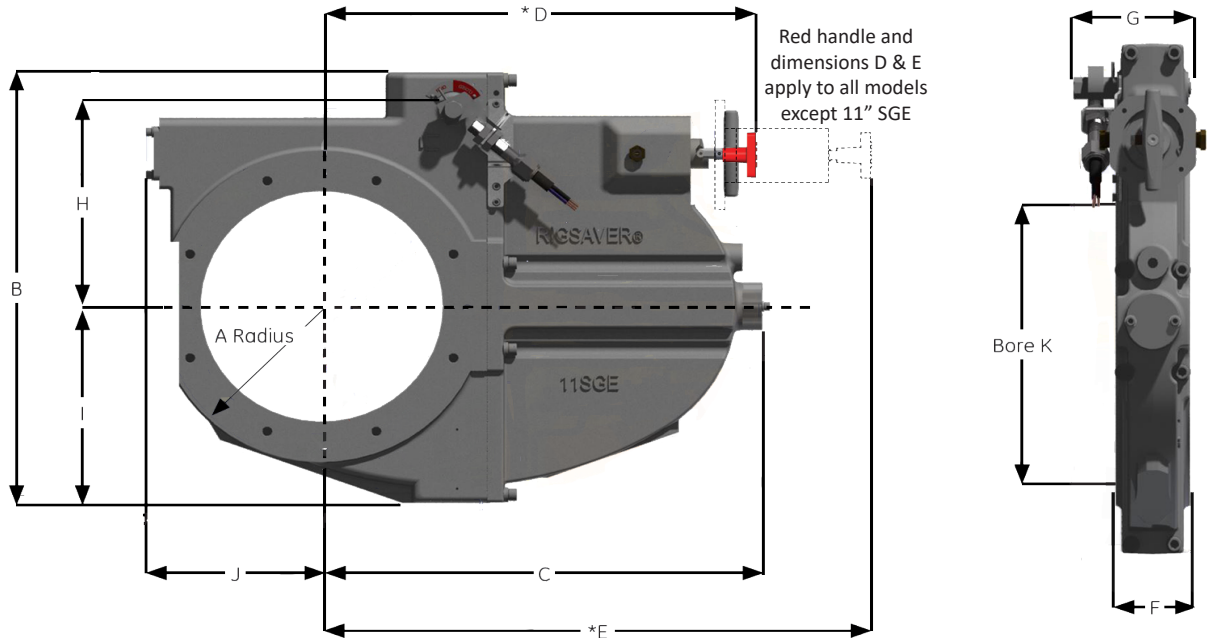
5SGE

RIGSAVER

Rigsaver Air Intake Shut-off Valve

Model 3SGE -14SGE*

Weights & Dimensions



Weights & Dimensions (lbs. & in.)												
Model	A	B	C	D*	E*	F	G	H	I	J	K (max bore)	Weight (lbs.)
3	2.06	7.44	5.44	6.40	10.58	1.75	2.16	3.19	2.94	3.25	3.00	6.0
4	2.63	9.10	7.13	7.31	10.70	1.88	2.22	4.14	3.70	3.73	4.00	8.5
5	3.25	11.12	9.00	9.18	12.32	2.00	2.50	5.19	4.50	4.19	5.00	10.0
6.5	4.25	12.69	12.00	12.00	16.70	2.50	3.14	5.56	5.76	4.81	6.50	25.0
8	5.00	14.73	14.25	13.60	17.62	2.50	3.25	6.75	6.73	5.25	8.00	35.0
11	6.30	20.17	19.79	N/A	N/A	3.00	4.75	10.87	9.13	7.76	11.00	70.0
14	8.89	26.11	28.10	25.00	N/A	7.41	12.50	8.00	13.10	8.86	14.00	210.0

* This chart does not cover all possible derivatives. For specific needs or queries, please contact our customer service department at +1 780 465 4429 or email sales@rigsaver.com.

WARNING

This product can expose you to chemicals including Lead, which is known to the state of California to cause cancer and birth defects or other reproductive harm. For more information go to www.P65Warnings.ca.gov.

3230 - 97 St.
Edmonton, AB
Canada T6N 1K4
Tel: +1 (780) 465-4429
Email: sales@rigsaver.com
www.rigsaver.com

RIGSAVER