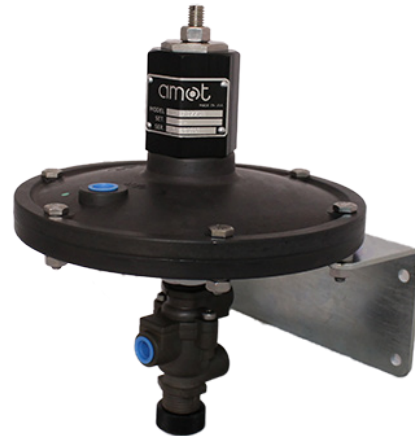


Low Pressure Valve

Model 4047

Overview

AMOT Model 4047 is used as a 2-way or 3-way high capacity, low pressure valve for settings from 0.007 bar (0.1) psi falling to 0.77 bar (11.2 psi) rising over several ranges. Applications include sensing low pressure low pressure gas, water, fuel, oil, or for liquid level sensing and control. By piping to the vacuum port, the valve can be used to sense vacuum pressure from 0.007 bar (0.1) psi falling. The 4047 can detect overload on gas engines by sensing the vacuum pressure in the intake manifold.



Typical applications

- Sense low pressure or vacuum of water, air, natural gas, oil and more
- Detection of overload on gas engines
- Sensing of vacuum intake air manifold

Key features and benefits

- 3-way valve has balanced force design
- Pressure can be applied at any port
- Buna N (Nitrile) "tadpole" seals are easily replaced
- Bubble-tight seals with center dead spot (no port overlap)
- Gulfproof finish standard



www.amot.com

Low Pressure Valve - Model 4047

Operation

2-WAY

Valve to open on rising pressure

Port 1 must be plugged. Rising pressure will open Port 2 to Port 3 above the trip point.

Valve to open on falling pressure

Port 3 must be plugged. Falling pressure will open Port 2 to Port 1 below the set trip point.

3-WAY

Valve operation for 3-way action is identical with that for 2-way except that there will be no plugged

ports. On valves set to trip on rising pressure, Port 1 will open to Port 2 until just below the trip point. Port 3 will open to Port 2 at the trip point. On falling pressure, Port 3 will close first. Then Port 1 will open to Port 2.

AMOT Model 4047 has a "dead spot" in the exact center position, which prevents the overlapping of Ports 1 and 3. Because of this, Ports 1 and 3 will not open and close simultaneously at the trip point.

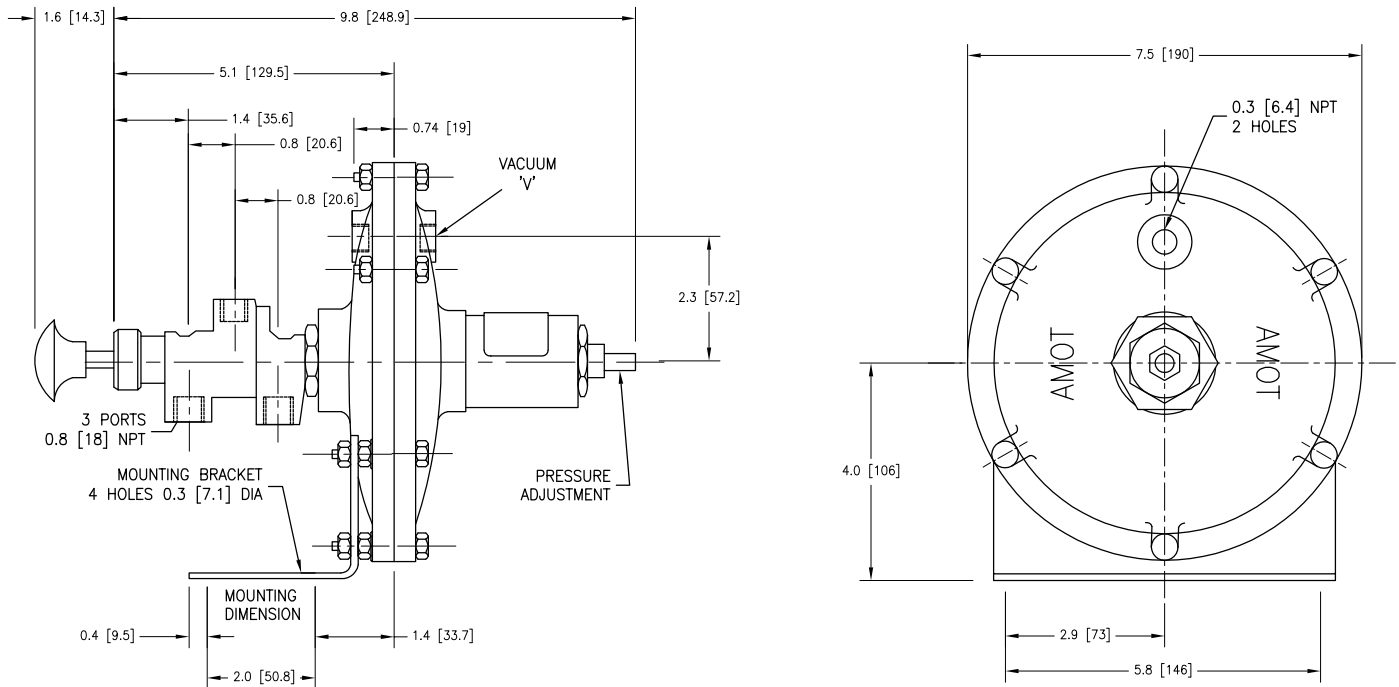
Specification

Valve body and diaphragm housing	Gulfproofed (anodized) aluminum	
Valve spool	Glass reinforced Ryton	
Standard seals and diaphragm	Buna N (Nitrile)	
Maximum operating pressures at Ports 1, 2 and 3	8.6 bar	(125 psi)
Maximum continuous control pressure at diaphragm	1.4 bar	(20 psi)
Proof pressure - diaphragm	2.1 bar	(30 psi)
Maximum Temperature	66°C	(150°F)
Valve free flow area (9/32" diameter port)	Kv = 1.0	Cv = 1.2
Net weight	2.3 kg	(5 lbs)

Low Pressure Valve - Model 4047

Dimensions

Dimensions inches (mm)



How to order

Use the tables below to select the unique specification of your 4047 Low Pressure Valve:

Example: **4047B** **A** **B** **C** **D** - **EE**

A Pressure Range			
	Tripping Pressure Range in bar (psi)		Reset Differential
	Rising	Falling	
1	0.028 - 0.09 (0.4 - 1.3)	0.0069 - 0.069 (0.1 - 1.0)	0.014 - 0.021 (0.2 - 0.3)
2	0.055 - 0.48 (0.8 - 7.0)	0.028 - 0.43 (0.4 - 6.2)	0.028 - 0.055 (0.4 - 0.8)
3	0.17 - 0.77 (2.5 - 11.2)	0.14 - 0.69 (2.0 - 10.0)	0.034 - 0.083 (0.5 - 1.2)

B Thread and Finish	
2	NPT Thread, Gulfproof (Anodized) Finish

C Reset Type	
0	Automatic Reset
1	Manual Reset (falling pressure)
2	Manual Reset (rising pressure)

D Seal Material	
A	Buna N (Nitrile)
B	Viton

EE Special Requirements	
AA	Standard
	Special requirements made to order. Contact Factory for order code.

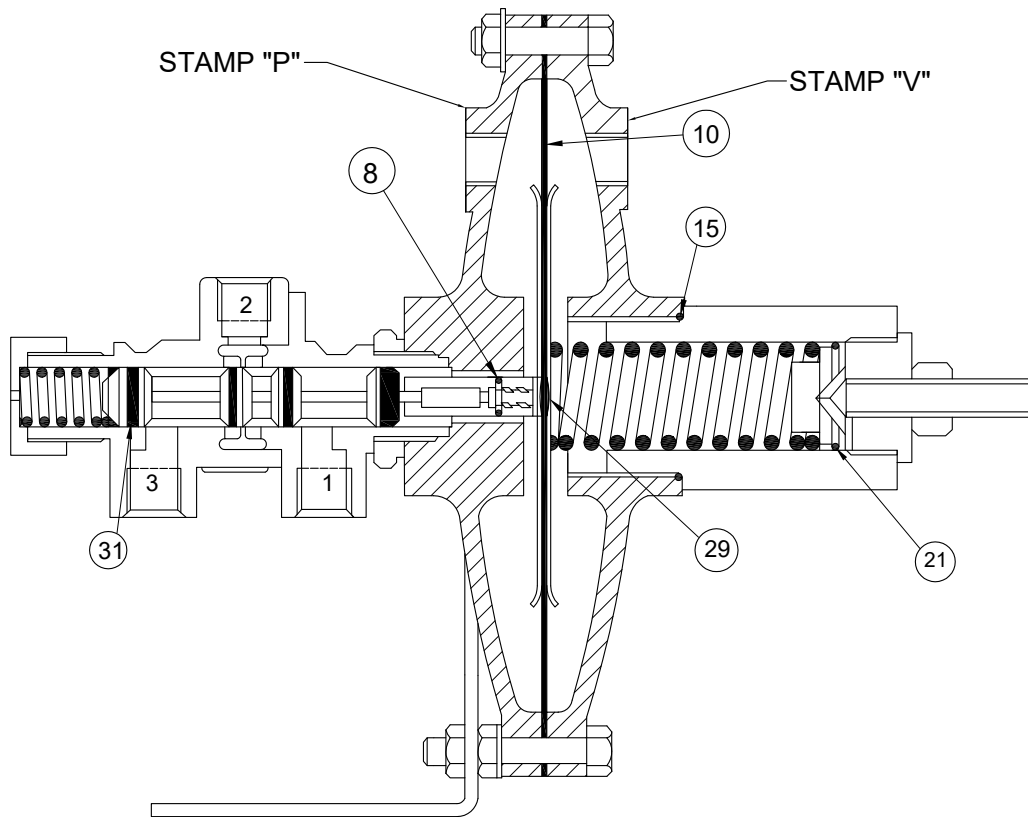
Low Pressure Valve - Model 4047

Maintenance

Properly applied and installed, Model 4047 requires minimal maintenance. Unless leakage or other problems are noticed sooner, an inspection of the units at yearly intervals is adequate to detect and

make provision for normal wear and preventative maintenance. It is recommended that the valve be checked monthly if possible for proper functioning by simulating an unsafe condition.

Service kits



Service Kit No. 9169X001 - Buna N

Ref	Qty	Description
8	1	O-ring
10	1	Diaphragm
12	2	Seal
15	1	O-ring
21	1	O-ring
31	4	Seal ring

Service Kit No. 9169X002 - Viton

Ref	Qty	Description
8	1	O-ring
10	1	Diaphragm
12	2	Seal
15	1	O-ring
21	1	O-ring
31	4	Seal ring

Americas

AMOT USA
8824 Fallbrook Dr
Houston
TX 77064
USA

Tel: +1 (281) 940 1800
Fax +1 (713) 559 9419
Email customer.service@amot.com

Asia Pacific

AMOT Shanghai
Bd. 7A, No. 568, Longpan Rd., Malu
Jiading
Shanghai 201801
China

Tel: +86 21 5910 4052
Fax: +86 21 5237 8560
Email: shanghai@amot.com

Europe, Middle East, Africa

AMOT
Western Way
Bury St Edmunds
Suffolk, IP33 3SZ
England

Tel +44 (0) 1284 715739
Fax +44 (0) 1284 760256
Email info@amot.com

AMOT Controls GmbH
Rondenbarg 25
22525 Hamburg
Germany

Tel +49 (0) 40 8537 1298
Fax +49 (0) 40 8537 1331
Email germany@amot.com



WARNING

This product can expose you to chemicals including Lead, which is known to the state of California to cause cancer and birth defects or other reproductive harm. For more information go to www.P65Warnings.ca.gov.

amot

www.amot.com