

Exhaust Gas Temperature Valve

Model 4087B

Typical applications

- For use principally as an exhaust gas temperature sensor



Model 4087B

Key features and benefits

- Reliable protection
- Long life
- Temperature ranges 150°C to 760°C (300°F to 1400°F)
- Viton seals
- Stainless steel well
- Manual or pneumatic reset
- Ease of maintenance

Exhaust Gas Temperature Valve - Model 4087B

Contents

Overview	3
Operation	3
Installation	3
How to Order	3
Specification	4
Dimensions	4
Maintenance and Service Parts	5
Contact	6

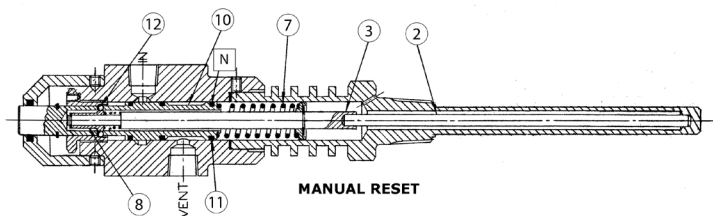
Exhaust Gas Temperature Valve - Model 4087B

Overview

This 2-Way valve is closed in the operating or "satisfied" condition, and trips open when the set temperature is exceeded.

Operation

Actuation of the valve is caused by increasing temperature expanding the stainless steel well at a rate faster than that of rod ②. Pushrod ③ moves toward the well, permitting the two balls ⑫ to slip into a groove between the upper piston ⑩ and the trip plunger ⑧. This releases the piston which is spring loaded by main spring ⑦. The piston moves upward permitting the middle piston seal ⑪ to move past the IN Port, connecting IN to VENT. Re-setting of the valve is accomplished by firmly depressing the top of piston ⑩ after the well has been permitted to cool back down below the trip point.



Installation

- Whenever possible, Model 4087 valves should be installed in the vertical position with the valve at the top. This prevents undue stress created by vibration at the thin part of the well section.
- The valve must not be used to support long lengths of safety system tubing or pipe.
- Apply the installing wrench only at the indicated hexagonal position of the well.
- **DO NOT INSTALL THE VALVE BY TURNING THE BODY WITH A WRENCH.**
- A high temperature thread seal may be used on connection fittings.
- Take care to prevent sealant, dirt, tubing chips and other contaminants from entering the valve body as they will interfere with proper operation of the valve.
- It is possible to remove the body and rod from the well without removing the well from the connection fitting.
 - Rod ② must be carefully supported and handled as it will be damaged by dropping or careless treatment.
- The body and valve portion of the unit should not be subjected to temperatures in excess of 400°F.

How to Order

Use the table below to select the unique specification of your 4087 Exhaust Gas Temperature Valve.

Example	4087B	06	1		Code description	Comments
					Basic model (A)	
Basic model (A)	4087B					
					Threads, finish and temperature range (B)	
Threads, finish and temperature range (B)		02			NPT, gulfproofed	150 - 540°C (300 - 1000°F)
		06			NPT, gulfproofed	540 - 760°C (1001 - 1400°F)
					Reset type (C)	
Reset type (C)			0		Manual	
			1		Pneumatic	
					Customer special requirements (D)	
Customer special requirements (D)				-AA	Standard	May be omitted
				-***	Customer special code	

Exhaust Gas Temperature Valve - Model 4087B

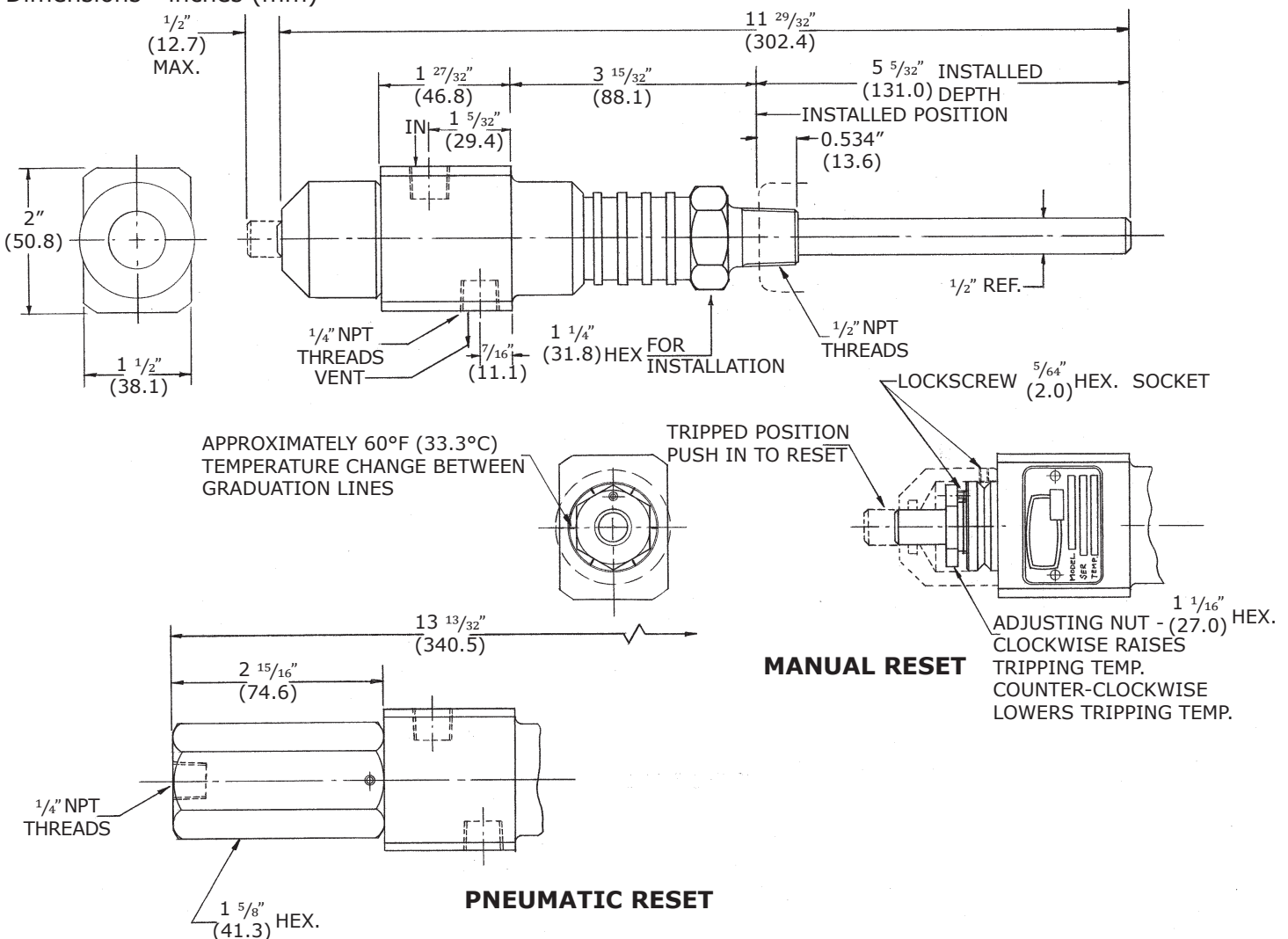
Specification

	Metric units	English units
Standard materials		
Valve body and spool	Aluminum	
O-ring seals	Viton	
Well	347 Stainless steel	
Maximum pressure	At IN port	8.6 bar / 125 psi
	Outside well*	68.9 bar / 1000 psi
Pneumatic reset	Minimum reset pressure	2.75 bar / 40 psi
	Maximum reset pressure	10.3 bar / 150 psi
Maximum valve body temperature	200°C	400°F
Net weight	0.9 kg	2 lb
Shipping weight (approx.)	3.0 kg	6.5 lb

*Pressure shown is maximum allowable. To obtain working pressure, factors of safety should be applied as required by appropriate codes or regulations. In certain adverse conditions, a corrosion or erosion allowance should also be made.

Dimensions

Dimensions - inches (mm)



Exhaust Gas Temperature Valve - Model 4087B

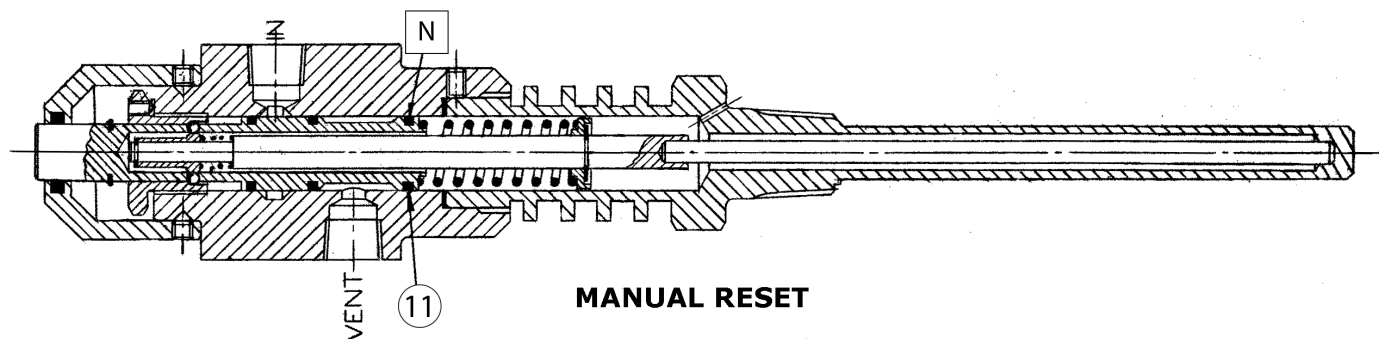
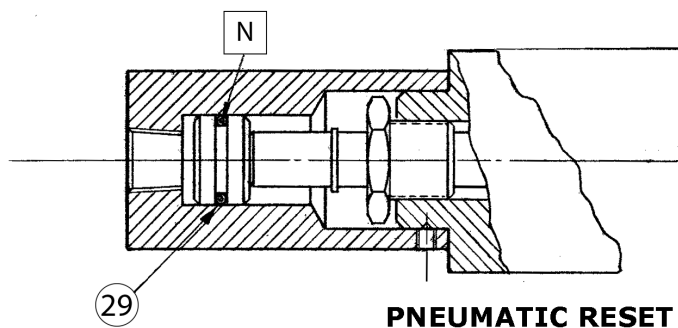
Maintenance and Service Parts

Over time, exposure to foreign chemicals and particulate matter as well as prolonged operation at extreme conditions may reduce the effectiveness of the valve. At such time, AMOT Exhaust Gas Temperature Valves can be restored to original performance by replacing the service parts. Service parts for AMOT exhaust gas temperature valves include seals and seal components required for normal maintenance. Please order service parts using the part numbers, quantities and descriptions given in the service parts table below.

AMOT designs and tests all its products to ensure that high quality standards are met. For good product life, carefully follow AMOT's installation and maintenance instructions; failure to do so could result in damage to the equipment being protected or controlled.

DO NOT FILL THE WELL WITH ANY TYPE OF HEAT TRANSFER COMPOUND.

Service parts			
Ref no.	Part no.	Qty.	AMOT part description
11	625	3	O-ring, Viton
29	257L001	1	O-ring, Viton
N	866L001	1	High temp. grease, 5.3 oz tube
-	ISB-4087-001	1	4087B Installation and Service Bulletin



Exhaust Gas Temperature Valve - Model 4087B

Contact

Americas

AMOT USA
8824 Fallbrook Dr.
Houston, TX 77064
USA

Tel: +1 (281) 940 1800
Fax: +1 (713) 559 9419
Email: customer.service@amot.com

Europe, Middle East and Africa

AMOT UK
Western Way
Bury St. Edmunds
Suffolk, IP33 3SZ
England

Tel: +44 1284 715739
Fax: +44 1284 760256
Email: info@amot.com

AMOT Germany
Rondenbarg 25
22525 Hamburg
Germany

Tel: +49 40 8537 1298
Fax: +49 40 8537 1331
Email: germany@amot.com

Asia Pacific

AMOT Shanghai
Bd. 7A, No. 568, Longpan Rd., Malu Jiading
Shanghai 201801
China

Tel: +86 21 5910 4052
Fax: +86 21 5237 8560
Email: shanghai@amot.com



WARNING

This product can expose you to chemicals including Lead, which is known to the state of California to cause cancer and birth defects or other reproductive harm. For more information go to www.P65Warnings.ca.gov.