

Pneumatic Indicator Controller

Model SG80

Overview

- The SG80 Pneumatic Indicator Controller is used for pressure or temperature control in pneumatic valve systems. This complete stand alone controller offers good dynamic response for proportional or proportional and integral control forms.

Typical applications

- Pressure or temperature control for use with pneumatic valve systems

Key benefits

- Complete stand alone controller
- Reduced system cost
- Good dynamic response
- Easily removable components
- Action reversible
- Offers both proportional and proportional/integral control forms



Model SG80

amot

www.amot.com

Pneumatic Indicator Controller - Model SG80

Specification

Body materials	Die cast aluminum with anti-corrosive paint		
Cover	ABS		
Degree of protection	IP54		
Mounting	Wall or panel		
Pneumatic connections	1/4" NPT with fittings for 4mm (0.16inch) pipe size		
Supply air pressure	20 ± 1.5 PSI	1.4 ± 0.1 bar	
Output	3 ÷ 15 PSI	0.2 ÷ 1 bar	
Adjustable control parameters	P.Band 200%	*Reset time >0...>10 rep/min	
Steady state air consumption	Air supply 20 PSI	1.4 bar	0.13 Nm ³ /h
Maximum air delivery	Air supply 20 PSI	1.4 bar	2.6 Nm ³ /h
Accuracy	<1%		
Hysteresis	<0.5%		
Non linearity	<0.5%		
Repeatability	<0.5%		
Permissible ambient temperature	-20°C to 80°C	-4°F to 176°F	
Weight	3 kg	6.6 lbs	

*For P+I controller only

Vibration

Lloyds requirement for off-engine equipment

5Hz – 13.2Hz ±1mm displacement

13.2Hz – 100Hz 0.7g acceleration

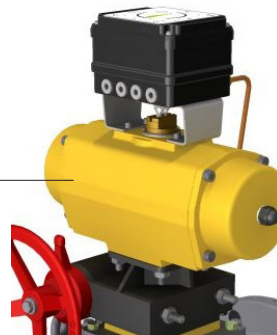
Pneumatic Indicator Controller - Model SG80

Application

Pneumatic System



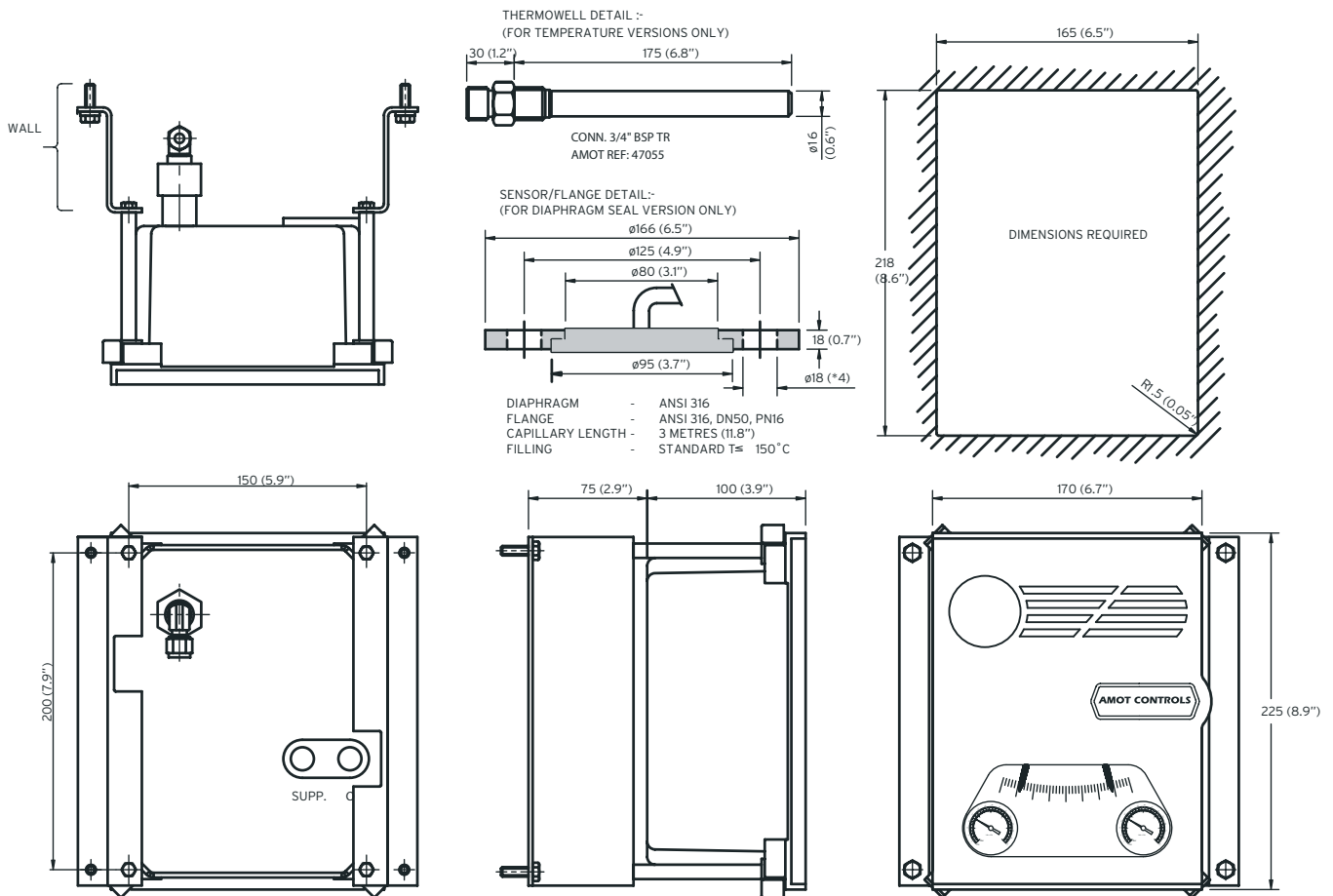
SG80 Temperature Controller and Sensor



AMOT pneumatic G Valve

The AMOT pneumatic G valve system incorporates a pneumatically actuated three-way control valve with the SG80 pneumatic indicator controller which can be panel or wall mounted. The pneumatic G valve system is ideal when there is a lack of electricity, when a fail-safe system is needed, or in a hazardous area installation.

Dimensions



Dimensions in mm

Pneumatic Indicator Controller - Model SG80

How to order

Use the tables below to select the unique specification of your SG80.

Example Code	SG80	1	2	3	W	Code Description
Basic Model	SG80					Model and Revision level
						Control Action
Control action		1				Proportional (P)
		2				Proportional and integral (P + I)
						Pressure or temperature ranges
Pressure bar (psi) temperature ranges °C (°F)		2				0/2.5 (0/36)
		3				0/4 (0/58)
		4				0/6 (0/87)
		5				0/10 (0/145)
		6				0/16 (0/232)
		7				0/25 (0/363)
		8				0/40 (0/580)
		K				0 to 70°C (32 to 158°F)
		L				0 to 100°C (32 to 212°F)
		M				0 to 150°C (32 to 302°F)
	N				0 to 250°C (32 to 482°F)	
						Measuring element and connections
Measuring element and connections		0				Standard temperature 2m capillary 3/4 BSP male
		1				Special temperature 6m capillary 3/4 BSP male
		2				Pressure 1/2 BSP male to 6mm tube
		3				Diaphragm seal
						Mounting options
Mounting options					W	Wall
					P	Panel

Europe and Africa

AMOT
Western Way
Bury St Edmunds
Suffolk, IP33 3SZ
England

Tel +44 (0) 1284 762222
Fax +44 (0) 1284 760256
Email info@amot.com

AMOT Controls GmbH
Rondenbarg 25
22525 Hamburg
Germany

Tel +49 (0) 40 8537 1298
Fax +49 (0) 40 8537 1331
Email germany@amot.com

Asia and Australasia

AMOT Shanghai
Rm 4102 - 4104 United Plaza
1468 Nanjing Road West
Shanghai 200040
China

Tel +86 (0) 21 6279 7700
Fax +86 (0) 21 5237 8560
Email shanghai@amot.com

AMOT Singapore
10 Eunos Road 8 #12-06
Singapore Post Centre
Singapore 408600

Tel +65 6408 6265
Fax +65 6293 3307
Email singapore@amot.com

Americas

AMOT USA
8824 Fallbrook Dr
Houston, TX 77064
USA

Tel +1 (281) 940 1800
Fax +1 (713) 559 9419
Email sales@amotusa.com